



Electrolux

Modular Cooking Range Line 700XP 4-Burner Gas Range on Gas Oven

ITEM # _____

MODEL # _____

NAME # _____

SIS # _____

AIA # _____



Electrolux



Modular Cooking Range Line

700XP 4-Burner Gas Range on Gas Oven

371002 (E7GCGH4CG0)

700XP 4 GAS BURNERS 5.5
KW ON GAS OVEN - LPG/
NATURAL GAS

Short Form Specification

Item No. _____

To be installed on stainless steel feet with height adjustment up to 50 mm. High efficiency flower flame burners with flame regulator and protected pilot light. Flame failure device as standard on burners to protect against accidental extinguishing. Stainless steel oven chamber with 3 levels of runners to accommodate 2/1 GN shelves (2 steam pans). Ribbed oven base plate. Exterior panels in stainless steel with Scotch Brite finish. Pan supports in heavy duty cast iron. One piece pressed work top in 1.5 mm thick stainless steel. Right-angled side edges to allow flush-fitting junction between units.

APPROVAL: _____

Main Features

- Unit to have stainless steel feet with height adjustment up to 50 mm.
- The four 5.5 kW high efficiency flower flame burners allow the flame to adapt to different size pans.
- Gas appliance supplied for use with natural or LPG gas, conversion jets supplied as standard.
- Large sized pan support in cast iron (stainless steel as option) with long center fins to allow the use of the largest down to the smallest pans.
- Pan supports in cast iron are washable in a dishwasher.
- Burners to feature flame regulator.
- Flame failure device to each burner protects against accidental extinguishing of the flame.
- Protected pilot light.
- Base compartment consists of a gas heated standard oven with stainless steel burners and self stabilizing flame positioned beneath the base plate. Stainless steel oven chamber to have 3 levels of runners to accommodate 2/1 GN shelves (2 steam pans) and ribbed enamelled steel base plate.
- Oven thermostat adjustable from 110 °C to 270 °C.
- Double skinned door with pressed internal panel for heat insulation.
- IPX 4 water protection.

Construction

- Exterior panels in Stainless Steel with Scotch Brite finish.
- One piece pressed 1.5 mm work top in Stainless steel.
- Model has right-angled side edges to allow flush fitting joints between units, eliminating gaps and possible dirt traps.

Optional Accessories

- Flanged feet kit PNC 206136
- 4 wheels - two with brake PNC 206188
- Kit 4 feet for concrete installation (not for 900 line free standing grill) PNC 206210
- Pair of side kicking strips PNC 206249
- Single burner smooth plate for direct cooking PNC 206260
- Single burner ribbed plate for direct cooking PNC 206261
- Single burner radiant plate for pan support PNC 206264
- Pair of side kicking strips for concrete installation PNC 206265

Modular Cooking Range Line
700XP 4-Burner Gas Range on Gas Oven



Electrolux

Modular Cooking Range Line 700XP 4-Burner Gas Range on Gas Oven

- Water column with swivel arm
- Frontal handrail, 800mm

PNC 206266

PNC 216047



**Modular Cooking Range Line
700XP 4-Burner Gas Range on Gas Oven**

The company reserves the right to make modifications to the products without prior notice. All information correct at time of printing.

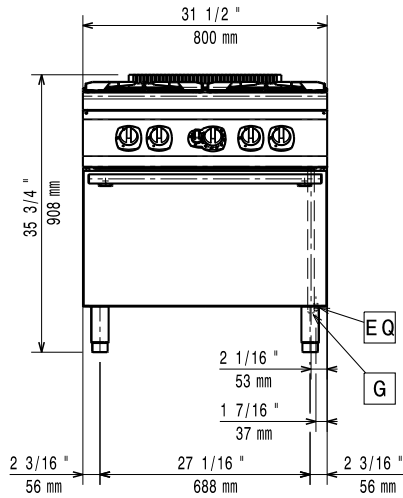
2011.02.11



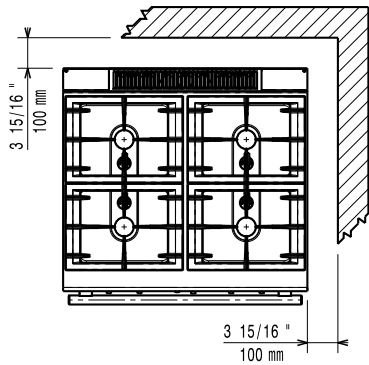
Electrolux

Modular Cooking Range Line 700XP 4-Burner Gas Range on Gas Oven

Front

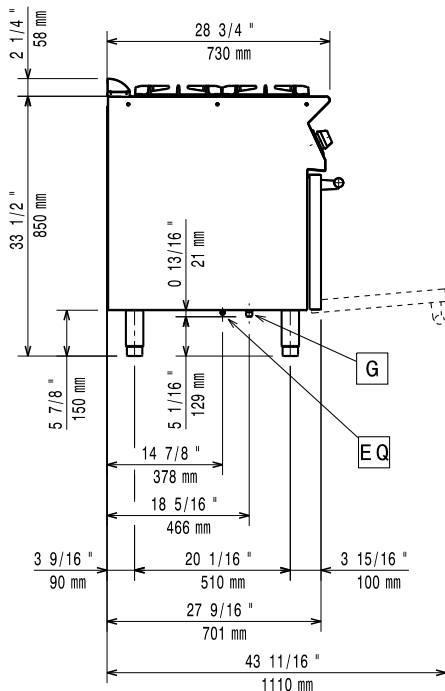


Top



EQ = Equipotential screw
G = Gas connection

Side



Gas

Gas Power:

371002(E7GCGH4CG0) 95452 Btu/hr (28 kW)

Gas Type Option:

LPG;Town

Gas Inlet:

1/2" NPT

Natural gas - Pressure:

7" w.c. (17.4 mbar)

LPG Gas Pressure:

11" w.c. (27.7 mbar)

Key Information:

Front Burners Power:	5.5 - 5.5 kW
Back Burners Power:	5.5 - 5.5 kW
Back Burners Dimension - mm	Ø 60 Ø 60
Front Burners Dimension - mm	Ø 60 Ø 60
Oven working Temperature:	110 °C MIN; 270 °C MAX
Oven Cavity Dimensions (width):	540 mm
Oven Cavity Dimensions (height):	300 mm
Oven Cavity Dimensions (depth):	650 mm
Net weight:	80 kg
Shipping weight:	103 kg
Shipping height:	850 mm
Shipping width:	800 mm
Shipping depth:	730 mm
Shipping volume:	0.48 m ³

If appliance is set up or next to or against temperature sensitive furniture or similar, a safety gap of approximately 150 mm should be maintained or some form of heat insulation fitted.



Modular Cooking Range Line
700XP 4-Burner Gas Range on Gas Oven

The company reserves the right to make modifications to the products without prior notice. All information correct at time of printing.