



Electrolux

Modular Cooking Range Line 700XP 6-Burner Gas Range on Gas Oven with Cupboard

ITEM # _____

MODEL # _____

NAME # _____

SIS # _____

AIA # _____



Electrolux

700XP 6-Burner Gas Range on Gas Oven with Cupboard
Modular Cooking Range Line



Modular Cooking Range Line

700XP 6-Burner Gas Range on Gas Oven with Cupboard

371005 (E7GCGL6C10)

700XP 6 GAS BURNERS 5.5
KW ON GAS OVEN WITH
CUPBOARD

Short Form Specification

Item No.

To be installed on stainless steel feet with height adjustment up to 50 mm. High efficiency flower flame burners with flame regulator and protected pilot light. Flame failure device as standard on burners to protect against accidental extinguishing. Stainless steel oven chamber with 3 levels of runners to accommodate 2/1 GN shelves (2 steam pans). Ribbed oven base plate. Exterior panels in stainless steel with Scotch Brite finish. Pan supports in heavy duty cast iron. One piece pressed work top in 1.5 mm thick stainless steel. Right-angled side edges to allow flush-fitting junction between units.

Main Features

- Unit to have stainless steel feet with height adjustment up to 50 mm.
- The six 5.5 kW high efficiency flower flame burners allow the flame to adapt to different size pans.
- Cupboard compartment for storage of pots, pans, sheet pans etc.
- Gas appliance supplied for use with natural or LPG gas, conversion jets supplied as standard.
- Large sized pan support in cast iron (stainless steel as option) with long center fins to allow the use of the largest down to the smallest pans.
- Pan supports in cast iron are washable in a dishwasher.
- Burners to feature flame regulator.
- Flame failure device to each burner protects against accidental extinguishing of the flame.
- Protected pilot light.
- Base compartment consists of a gas heated standard oven with stainless steel burners and self stabilizing flame positioned beneath the base plate. Stainless steel oven chamber to have 3 levels of runners to accommodate 2/1 GN shelves (2 steam pans) and ribbed enamelled steel base plate.
- Oven thermostat adjustable from 110 °C to 270 °C.
- Double skinned door with pressed internal panel for heat insulation.
- IPX 4 water protection.

Construction

- Exterior panels in Stainless Steel with Scotch Brite finish.
- One piece pressed 1.5 mm work top in Stainless steel.
- Model has right-angled side edges to allow flush fitting joints between units, eliminating gaps and possible dirt traps.

Optional Accessories

- Flanged feet kit PNC 206136
- 4 wheels - two with brake PNC 206188
- Kit 4 feet for concrete installation (not for 900 line free standing grill) PNC 206210
- 2 supports with side runners for 4 GN 1/1 containers for open base cupboards (multifunctional cookers, solid top and gas ranges with cupboard) PNC 206244
- Pair of side kicking strips PNC 206249
- Electric heating kit for cupboards PNC 206259

APPROVAL: _____



Electrolux

Modular Cooking Range Line 700XP 6-Burner Gas Range on Gas Oven with Cupboard

- Single burner smooth plate for direct cooking PNC 206260
- Single burner ribbed plate for direct cooking PNC 206261
- Single burner radiant plate for pan support PNC 206264
- Pair of side kicking strips for concrete installation PNC 206265
- Water column with swivel arm PNC 206266



Modular Cooking Range Line
700XP 6-Burner Gas Range on Gas Oven with Cupboard

The company reserves the right to make modifications to the products without prior notice. All information correct at time of printing.

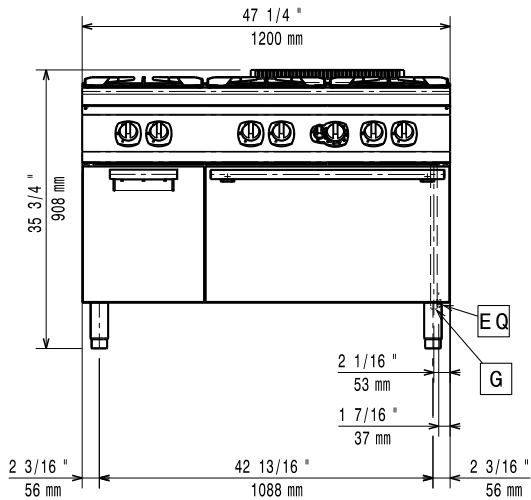
2011.02.11



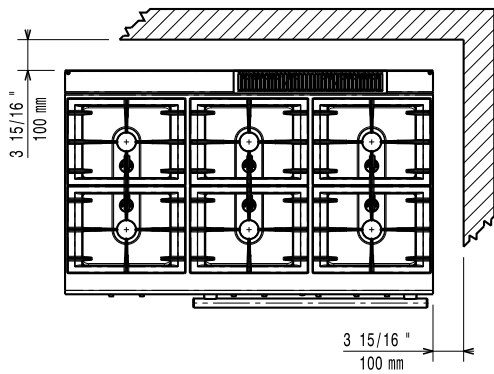
Electrolux

Modular Cooking Range Line 700XP 6-Burner Gas Range on Gas Oven with Cupboard

Front

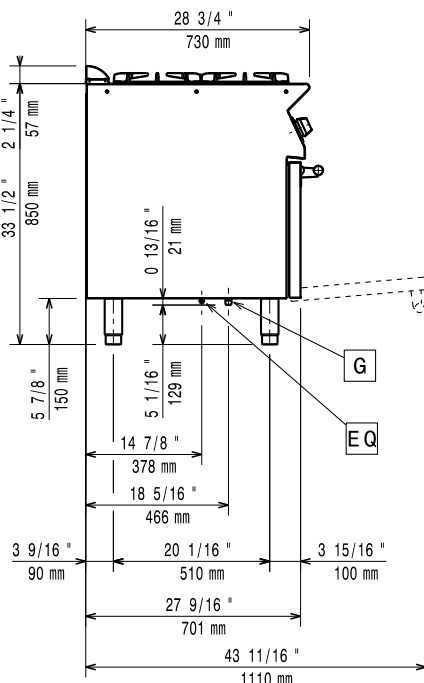


Top



- EQ** = Equipotential screw
- G** = Gas connection

Side



Gas

Gas Power:	371005(E7GCGL6C10)	132951 Btu/hr (39 kW)
Gas Type Option:		LPG;Town
Gas Inlet:		1/2" NPT
Natural gas - Pressure:		7" w.c. (17.4 mbar)
LPG Gas Pressure:		11" w.c. (27.7 mbar)

Key Information:

Front Burners Power:	5.5 - 5.5 kW
Back Burners Power:	5.5 - 5.5 kW
Middle Burners Power:	5.5 - 0/5.5 - 0 kW
Back Burners Dimension - mm	Ø 60 Ø 60
Front Burners Dimension - mm	Ø 60 Ø 60
Middle Burners Dimension - mm	Ø 60 Ø 60
Oven working Temperature:	110 °C MIN; 270 °C MAX
Oven Cavity Dimensions (width):	540 mm
Oven Cavity Dimensions (height):	300 mm
Oven Cavity Dimensions (depth):	650 mm
Storage Cavity Dimensions (width):	330 mm
Storage Cavity Dimensions (height):	380 mm
Storage Cavity Dimensions (depth):	640 mm
Net weight:	120 kg
Shipping weight:	130 kg
Shipping height:	850 mm
Shipping width:	1200 mm
Shipping depth:	730 mm
Shipping volume:	0.71 m ³

If appliance is set up or next to or against temperature sensitive furniture or similar, a safety gap of approximately 150 mm should be maintained or some form of heat insulation fitted.

Modular Cooking Range Line
700XP 6-Burner Gas Range on Gas Oven with Cupboard

The company reserves the right to make modifications to the products without prior notice. All information correct at time of printing.

