



Electrolux

**Modular Cooking Range Line
700XP Freestanding Gas Boiling
Pan 60lt indirect heat with auto
refill**

ITEM # _____

MODEL # _____

NAME # _____

SIS # _____

AIA # _____



Electrolux



Modular Cooking Range Line

**700XP Freestanding Gas Boiling Pan
60lt indirect heat with auto refill**

371088 (E7BSGHINFR)

700XP Freestanding Gas Boiling Pan 60lt indirect heat with automatic refill - 230 V

Short Form Specification

Item No. _____

Unit to be Electrolux 700XP Freestanding Gas Boiling Pan 60 liter capacity with automatic refilling. Suitable for natural gas or LPG. Unit to be installed on height adjustable feet in stainless steel. Robust burners in stainless steel with flame failure device and protected pilot light. Exterior panels of unit in Stainless steel with Scotch Brite finish. One piece pressed work top in 1.5 mm thick Stainless steel. Unit has right-angled side edges to allow flush-fitting junction between units. Unit to feature temperature control by a power regulator allowing precise temperature cooking.

Main Features

- Kettle is suitable to cook, sauté or poach all kinds of produce.
- Produce is uniformly heated in the base and side walls of the kettle by an indirect heating system that uses integrally generated saturated steam at a temperature of 110° C in the jacket.
- Model features automatic water refilling of the double jacket when water reaches the minimum level.
- Pressed cooking vessel and lid in 316 AISI Stainless steel.
- Robust burners in stainless steel with flame failure device, protected pilot light and optimized combustion.
- External valve allows to manually evacuate excess air accumulated in the jacket during heating phase.
- Appliance is IPX4 water resistance certified.
- Solenoid valve to refill with hot and cold water.
- Safety valve avoids overpressure of the steam in the jacket.
- No overshooting of cooking temperatures, fast reaction.
- Large capacity drain tap enables precise portioning of the discharged food, especially small quantities.
- Firmly fitting cover to reduce cooking time and save energy costs.
- Ergonomic: unique ratio vessel diameter and height; depth facilitates stirring and gentle food handling.
- Discharge tube and tap are very easy to clean from outside.
- Smooth large surfaces, easy access for cleaning.
- Pressure switch control monitors energy and water consumption.
- Exterior panels in Stainless Steel with Scotch Brite finish.
- One piece pressed 1.5 mm work top in Stainless steel.
- Model has right-angled side edges to allow flush fitting joints between units, eliminating gaps and possible dirt traps.
- Unit delivered with four 50 mm legs in stainless steel as standard (all round Stainless steel kick plates as option).

Construction

- Robust burners in stainless steel with flame failure device, protected pilot light and optimized combustion.
- Exterior panels in Stainless Steel with Scotch Brite finish.
- One piece pressed 1.5 mm work top in Stainless steel.
- Model has right-angled side edges to allow flush fitting joints between units, eliminating gaps and possible dirt traps.

Optional Accessories

- Draught diverter, 150 mm diameter PNC 206132
- Matching ring for flue condenser, 150 mm diameter PNC 206133
- Flanged feet kit PNC 206136
- Kit 4 feet for concrete installation (not for 900 line free standing grill) PNC 206210
- Flue condenser for 1 module, 150 mm diameter PNC 206246
- Pair of side kicking strips PNC 206249
- LEFT SIDE HANDRAIL PNC 206253
- Pair of side kicking strips for concrete installation PNC 206265
- 1-section noodle basket for 60lt boiling pans PNC 921626

APPROVAL: _____



Electrolux

**Modular Cooking Range Line
700XP Freestanding Gas Boiling Pan
60lt indirect heat with auto refill**

- Pressure regulator for gas units

PNC 927225 □



**Modular Cooking Range Line
700XP Freestanding Gas Boiling Pan 60lt indirect heat with auto refill**

The company reserves the right to make modifications to the products without prior notice. All information correct at time of printing.

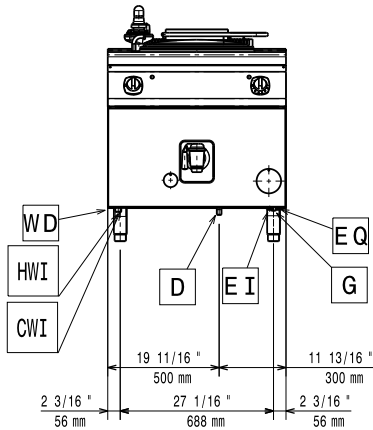
2011.04.06



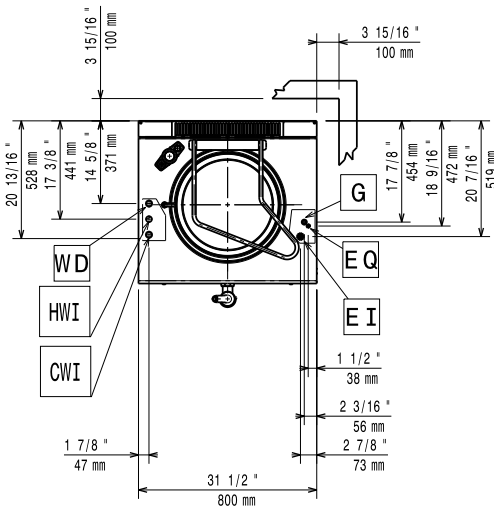
Electrolux

Modular Cooking Range Line 700XP Freestanding Gas Boiling Pan 60lt indirect heat with auto refill

Front

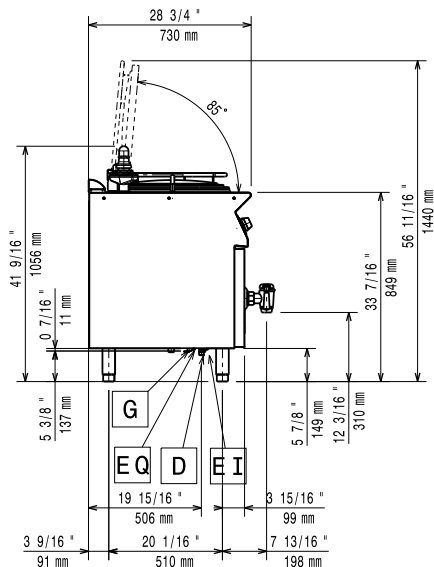


Top



- CWI = Cold Water inlet
- D = Cavity wall drain
- EI = Electrical connection
- G = Gas connection
- HWI = Hot water inlet

Side



Electric

Supply voltage:

371088(E7BSGHINFR)

230 V/1N ph/50/60 Hz

Total Watts:

0.2 kW

Gas

Gas Power:

47726 Btu/hr (14 kW)

Gas Type Option:

LPG

Gas Inlet:

1/2" NPT

Natural gas - Pressure:

7" w.c. (17.4 mbar)

LPG Gas Pressure:

11" w.c. (27.7 mbar)

Key Information:

Pan useful capacity:

60 lt

Vessel (round) diameter:

420 mm

Net weight:

100 kg

Shipping weight:

115 kg

Shipping height:

850 mm

Shipping width:

800 mm

Shipping depth:

730 mm

Shipping volume:

0.48 m³

No clearance needed on rear sides of unit if wall is of non combustible type. If wall is combustible, minimum 50 mm wall clearance should be maintained.



Modular Cooking Range Line
700XP Freestanding Gas Boiling Pan 60lt indirect heat with auto refill

The company reserves the right to make modifications to the products without prior notice. All information correct at time of printing.