



Electrolux

**Modular Cooking Range Line
700XP Gas Solid Top on Gas Oven
with 2 Burners and Cupboard**

ITEM # _____

MODEL # _____

NAME # _____

SIS # _____

AIA # _____



Electrolux



Modular Cooking Range Line

**700XP Gas Solid Top on Gas Oven with
2 Burners and Cupboard**

371010 (E7STGL3010)

700XP GAS SOLID TOP ON
GAS OVEN WITH 2
BURNERS AND CUPBOARD-
LPG/NATURAL GAS

Short Form Specification

Item No. _____

High efficiency 7 kW central burner, flame failure device and protected pilot light. Suitable for natural gas or LPG. Large cooking surface with different heating zones. Large flat cooking surface made in cast iron allows for the use of a number of various sized pots and pans, all easily moved across the surface without lifting. Stainless steel oven chamber with 3 levels of runners to accommodate 2/1 GN shelves (2 steam pans). Two high efficiency 5,5 kW flow flame burners with continuous power regulation and protected pilot light interchangeable on site. Flame failure device as standard on burners to protect against accidental extinguishing. Exterior panels in stainless steel with Scotch Brite finish. One piece pressed work top in 1.5 mm thick stainless steel. Right-angled side edges to allow flush-fitting junction between units.

Main Features

- Gas heated, 7 kW central burner, solid top.
- Durable cast iron cooking plate, easy to clean.
- The center of the plate can reach a maximum temperature of 500 °C while decreasing outwards.
- Central burner to have optimized combustion, flame failure device and protected pilot light.
- Possibility of different temperature zones provides a temperature gradient over the plate for different cooking needs.
- Various sizes of pans can be used at the same time due to large surface area with no intermediate sectors.
- Pans can easily be moved from one area to another without lifting.
- Base compartment consists of a gas heated standard oven with stainless steel burners and self stabilizing flame positioned beneath the base plate. Stainless steel oven chamber to have 3 levels of runners to accommodate 2/1 GN shelves (2 steam pans) and ribbed enamelled steel base plate.
- Oven thermostat adjustable from 110 °C to 270 °C.
- Burners with optimized combustion interchangeable on site.
- Flame failure device to each burner protects against accidental extinguishing of the flame.
- Cupboard compartment for storage of pots, pans, sheet pans etc.
- All major compartments located in front of unit for ease of maintenance.
- IPX4 water resistance certification.

Construction

- Exterior panels in Stainless Steel with Scotch Brite finish.
- One piece pressed 1.5 mm work top in Stainless steel.
- Model has right-angled side edges to allow flush fitting joints between units, eliminating gaps and possible dirt traps.

Included Accessories

- 1 of GN2/1 chrome grid for static oven PNC 164250

Optional Accessories

- Flanged feet kit PNC 206136
- 4 wheels - two with brake PNC 206188
- Kit 4 feet for concrete installation (not for 900 line free standing grill) PNC 206210

APPROVAL: _____



Electrolux

Modular Cooking Range Line 700XP Gas Solid Top on Gas Oven with 2 Burners and Cupboard

- 2 supports with side runners for 4 GN 1/1 containers for open base cupboards (multifunctional cookers, solid top and gas ranges with cupboard) PNC 206244
- Flue condenser for 1 module, 150 mm diameter PNC 206246
- Pair of side kicking strips PNC 206249
- 2 internal side panels to make cupboards hygienic PNC 206252
- Electric heating kit for cupboards PNC 206259
- Pair of side kicking strips for concrete installation PNC 206265
- Water column with swivel arm PNC 206266
- Water column with swivel arm (water column extension not included) PNC 206289



Modular Cooking Range Line
700XP Gas Solid Top on Gas Oven with 2 Burners and Cupboard

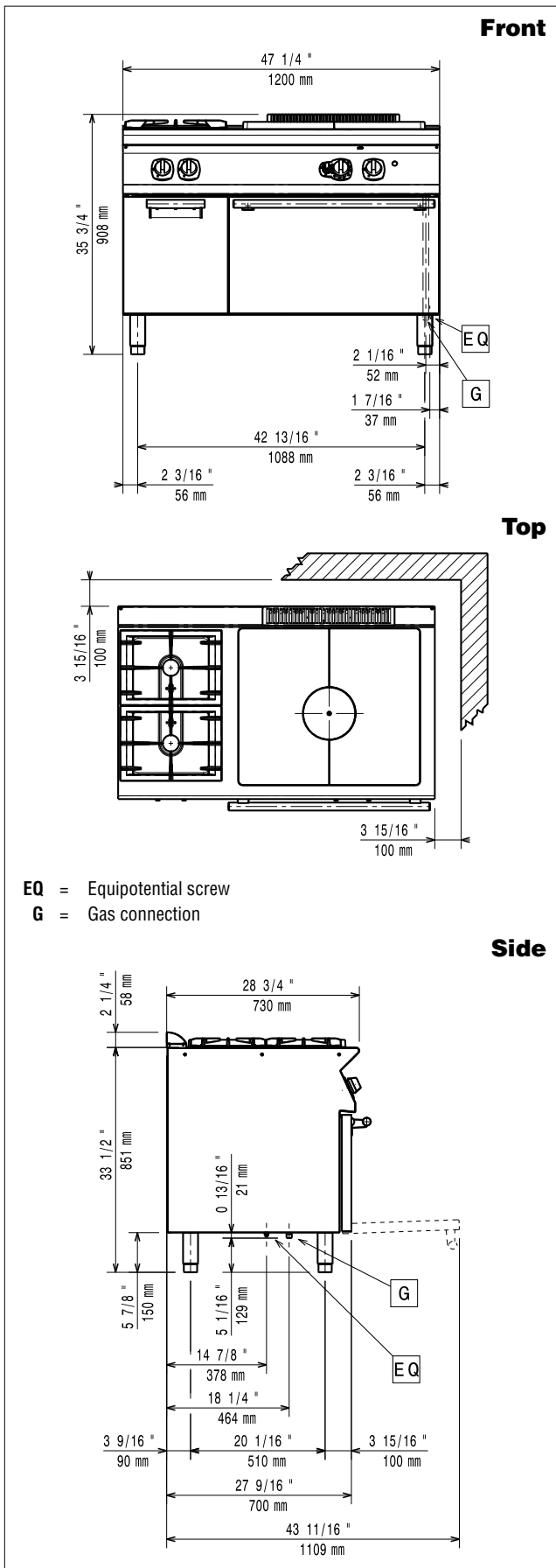
The company reserves the right to make modifications to the products without prior notice. All information correct at time of printing.

2011.02.11



Electrolux

Modular Cooking Range Line 700XP Gas Solid Top on Gas Oven with 2 Burners and Cupboard



Gas

Gas Power:

371010(E7STGL3010) 81816 Btu/hr (24 kW)

Gas Type Option:

LPG

Gas Inlet:

1/2" NPT

Natural gas - Pressure:

7" w.c. (17.4 mbar)

LPG Gas Pressure:

11" w.c. (27.7 mbar)

Key Information:

Front Burners Power:	5.5 - 0 kW
Back Burners Power:	5.5 - 0 kW
Back Burners Dimension - mm	Ø 60
Front Burners Dimension - mm	Ø 60
Solid top usable surface (width):	690 mm
Solid top usable surface (depth):	590 mm
Oven working Temperature:	110 °C MIN; 270 °C MAX
Oven Cavity Dimensions (width):	540 mm
Oven Cavity Dimensions (height):	300 mm
Oven Cavity Dimensions (depth):	650 mm
Storage Cavity Dimensions (width):	330 mm
Storage Cavity Dimensions (height):	420 mm
Storage Cavity Dimensions (depth):	640 mm
Net weight:	140 kg
Shipping weight:	160 kg
Shipping height:	850 mm
Shipping width:	1200 mm
Shipping depth:	730 mm
Shipping volume:	0.71 m ³

If appliance is set up or next to or against temperature sensitive furniture or similar, a safety gap of approximately 150 mm should be maintained or some form of heat insulation fitted.



Modular Cooking Range Line 700XP Gas Solid Top on Gas Oven with 2 Burners and Cupboard

The company reserves the right to make modifications to the products without prior notice. All information correct at time of printing.