



Electrolux

## Modular Cooking Range Line 700XP Gas Tilting Bratt Pan 60lt with mild steel bottom

ITEM # \_\_\_\_\_

MODEL # \_\_\_\_\_

NAME # \_\_\_\_\_

SIS # \_\_\_\_\_

AIA # \_\_\_\_\_



Electrolux



### Modular Cooking Range Line

### 700XP Gas Tilting Bratt Pan 60lt with mild steel bottom

371180 (E7BRGHMNF0)

700XP Gas Tilting Braising Pan – 60 liter with mild steel bottom

### Short Form Specification

**Item No.** \_\_\_\_\_

Suitable for natural gas or LPG. Burners with optimized combustion, flame failure device, piezo ignition and electronic flame control. Polished mild steel plated cooking surface for roasting, browning, stewing, preparation of sauces, sautéing, boiling and braising. Can be installed on cantilever systems. Mechanism to manually tilt the pan. Double-skinned lid in stainless steel. Cooking temperature can be set through thermostat. Exterior panels in stainless steel with Scotch Brite finish. Height adjustable feet in stainless steel. Right-angled side edges to allow flush-fitting junction between units.

### Main Features

- Actual cooking temperature setting through adjustable thermostat.
- Working temperature can be set from 90 °C to 290 °C.
- Heat-insulated: limited heat radiation and low energy consumption.
- Manual tilting mechanism to facilitate pan emptying.
- Smooth large surfaces, easy access for cleaning.
- Unit delivered with four 50 mm legs in stainless steel as standard (all round Stainless steel kick plates as option).
- IPX4 water resistance certification.

### Construction

- Cooking surface in mild steel for sautéing, poaching, steaming, boiling, stewing and regular frying.
- Burners in chrome plated steel with flame failure device, optimized combustion and piezo ignition with electronic flame control.
- Lid in stainless steel.
- All pan internal surfaces round and polished.
- Exterior panels in Stainless Steel with Scotch Brite finish.
- One piece pressed 1.5 mm work top in Stainless steel.
- Model has right-angled side edges to allow flush fitting joints between units, eliminating gaps and possible dirt traps.

### Optional Accessories

- Matching ring for flue condenser, 150 mm diameter PNC 206133
- Flanged feet kit PNC 206136
- Frontal kicking strip, 200mm (not for refr-freezer base) PNC 206174
- Kit 4 feet for concrete installation (not for 900 line free standing grill) PNC 206210
- Flue condenser for 1 module, 150 mm diameter PNC 206246
- Pair of side kicking strips PNC 206249
- Pair of side kicking strips for concrete installation PNC 206265
- Pressure regulator for gas units PNC 927225

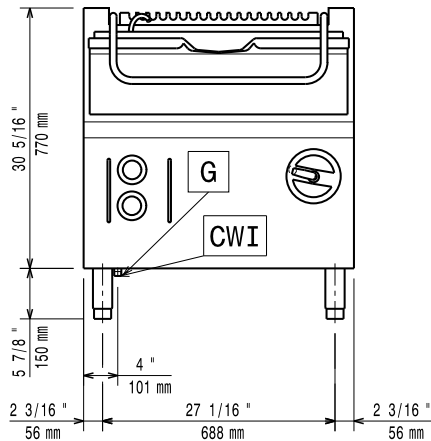
APPROVAL: \_\_\_\_\_



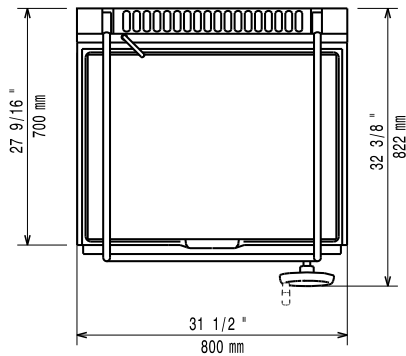
Electrolux

# Modular Cooking Range Line 700XP Gas Tilting Bratt Pan 60lt with mild steel bottom

Front

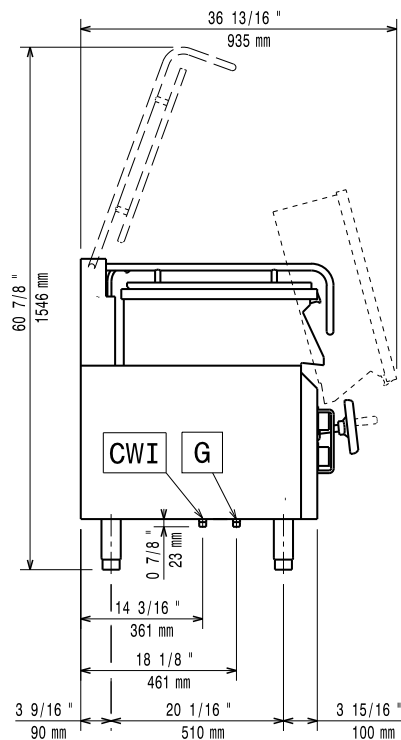


Top



**CWI** = Cold Water inlet  
**G** = Gas connection

Side



## Gas

<b>Gas Power:</b>	
371180(E7BRGHMNF0)	54544 Btu/hr (16 kW)
<b>Gas Type Option:</b>	LPG
<b>Gas Inlet:</b>	1/2" NPT
<b>Natural gas - Pressure:</b>	7" w.c. (17.4 mbar)
<b>LPG Gas Pressure:</b>	11" w.c. (27.7 mbar)

## Key Information:

<b>Cooking Surface Depth:</b>	410 mm
<b>Cooking Surface Width:</b>	680 mm
<b>Cooking Surface Thickness:</b>	10 mm
<b>Cooking Well Height:</b>	200 mm
<b>Well Capacity, Max:</b>	60 lt
<b>Working Temperature MIN:</b>	90 °C
<b>Working Temperature MAX:</b>	290 °C
<b>Net weight:</b>	105 kg
<b>Shipping weight:</b>	120 kg
<b>Shipping height:</b>	850 mm
<b>Shipping width:</b>	800 mm
<b>Shipping depth:</b>	730 mm
<b>Shipping volume:</b>	0.48 m <sup>3</sup>

No clearance needed on rear sides of unit if wall is of non combustible type. If wall is combustible, minimum 50 mm wall clearance should be maintained.

Modular Cooking Range Line  
 700XP Gas Tilting Bratt Pan 60lt with mild steel bottom

The company reserves the right to make modifications to the products without prior notice. All information correct at time of printing.

