



Electrolux

## Modular Cooking Range Line 900XP Half Module Gas Grill

ITEM # \_\_\_\_\_

MODEL # \_\_\_\_\_

NAME # \_\_\_\_\_

SIS # \_\_\_\_\_

AIA # \_\_\_\_\_



Electrolux



### Modular Cooking Range Line 900XP Half Module Gas Grill

391063 (E9GRGDGCF0)

900XP HALF MODULE GAS  
GRILL - NATURAL/LPG GAS

### Short Form Specification

Item No. \_\_\_\_\_

To be used with natural or LPG gas. High efficiency 11 kW stainless steel burners with self stabilizing flame. Cooking surface grids in cast iron, easily removable for cleaning. Cast iron grids can be rotated for the grilling of fish or meats. Includes drip tray for the collection of grease and fat. Exterior panels of unit in stainless steel with Scotch Brite finish. Extra strength work top in heavy duty 2 mm stainless steel. Right-angled side edges to allow flush-fitting junction between units.

### Main Features

- Stainless steel burners with self stabilizing flame.
- Burners are protected by deflection trays to prevent fat dripping on them.
- Regulators with fixed high and low positions for precise control.
- Heavy duty cast iron cooking grid lifts off for ease of cleaning.
- Cast iron grids can be rotated for grilling of fish or meats.
- Drip tray to collect residual cooking grease and fat.
- Stainless steel high splash guards on the rear and sides of cooking surface. Splash guards can be easily removed for cleaning and are dishwasher-safe.
- The special design of the control knob system guarantees against water infiltration.
- IPX5 water protection.

### Construction

- Unit is 93 cm deep to give a larger working surface area.
- Exterior panels in Stainless Steel with Scotch Brite finish.
- 2 mm work top in Stainless steel.
- Model has right-angled side edges to allow flush fitting joints between units, eliminating gaps and possible dirt traps.

### Optional Accessories

- Junction sealing kit PNC 206086
- Flanged feet kit PNC 206136
- Frontal kicking strip for concrete installation, 400mm PNC 206147
- Pair of side kicking strips for concrete installation PNC 206157
- Kit 4 feet free standing grill for installation on concrete socle PNC 206163
- Frontal kicking strip, 400mm (not for refr-freezer base) PNC 206175
- Pair of side kicking strips (not for refr-freezer base) PNC 206180
- 2 panels for service duct for single installation PNC 206181
- Frontal panel for 400mm free standing grill PNC 206197
- 2 panels for service duct for back to back installation PNC 206202
- 2 side panels for free standing grill PNC 206207
- Stainless steel grid for grills PNC 206232

APPROVAL: \_\_\_\_\_



Electrolux

## Modular Cooking Range Line 900XP Half Module Gas Grill

- Stainless steel grid with drain channels for gas grills PNC 206239
- Water filling tap for 400 mm free standing grills PNC 206280
- Stainless steel grid for free standing grills PNC 206285
- Stainless steel grid with drainage channels for free standing grills PNC 206286
- Scraper for free standing grills PNC 206299
- Pressure regulator for gas units PNC 927225



Modular Cooking Range Line  
900XP Half Module Gas Grill

The company reserves the right to make modifications to the products without prior notice. All information correct at time of printing.

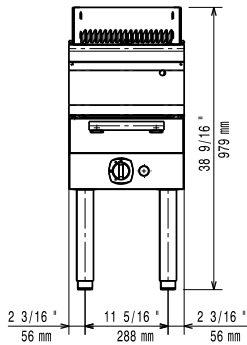
2011.02.21



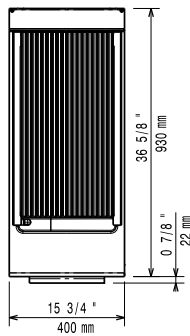
Electrolux

# Modular Cooking Range Line 900XP Half Module Gas Grill

Front

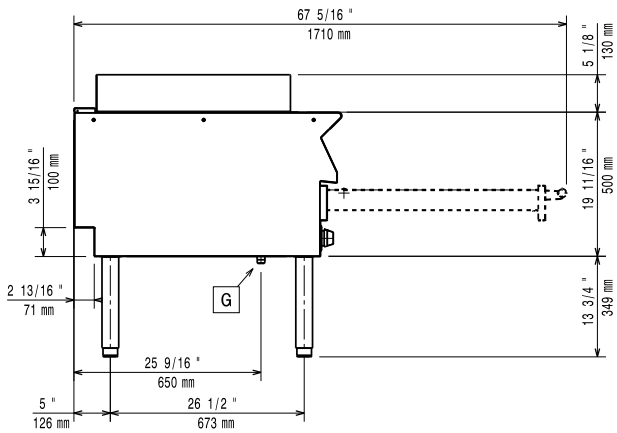


Top



G = Gas connection

Side



## Gas

<b>Gas Power:</b>	
<b>391063(E9GRGDGCF0)</b>	37499 Btu/hr (11 kW)
<b>Gas Type Option:</b>	LPG
<b>Gas Inlet:</b>	3/4" NPT
<b>Natural gas - Pressure:</b>	7" w.c. (17.4 mbar)
<b>LPG Gas Pressure:</b>	11" w.c. (27.7 mbar)

## Key Information:

<b>External dimensions, Height:</b>	850 mm
<b>External dimensions, Width:</b>	400 mm
<b>External dimensions, Depth:</b>	930 mm
<b>Net weight:</b>	60 kg
<b>Shipping weight:</b>	70 kg
<b>Shipping height:</b>	850 mm
<b>Shipping width:</b>	400 mm
<b>Shipping depth:</b>	930 mm
<b>Shipping volume:</b>	0.31 m <sup>3</sup>

If appliance is set up or next to or against temperature sensitive furniture or similar, a safety gap of approximately 150 mm should be maintained or some form of heat insulation fitted.

Modular Cooking Range Line  
900XP Half Module Gas Grill

The company reserves the right to make modifications to the products without prior notice. All information correct at time of printing.

