



Electrolux

## Modular Cooking Range Line 900XP 4-Burner Gas Range on Gas Oven

ITEM # \_\_\_\_\_

MODEL # \_\_\_\_\_

NAME # \_\_\_\_\_

SIS # \_\_\_\_\_

AIA # \_\_\_\_\_



Electrolux



### Modular Cooking Range Line

### 900XP 4-Burner Gas Range on Gas Oven

391005 (E9GCGH4CG0)

900XP 4 GAS BURNERS  
6kW ON GAS OVEN

### Short Form Specification

Item No. \_\_\_\_\_

To be installed on stainless steel feet with height adjustment up to 50 mm. High efficiency flower flame burners with continuous power regulation and optimized combustion. Flame failure device as standard on burners to protect against accidental extinguishing. Oven chamber with 3 levels of runners to accommodate 2/1 GN shelves (2 steam pans). Ribbed, cast-iron oven base plate. Exterior panels of unit in stainless steel with Scotch Brite finish. Pan supports in heavy duty cast iron. Extra strength work top in heavy duty 2 mm stainless steel. Right-angled side edges to allow flush-fitting junction between units.

### Main Features

- Unit to be mounted on stainless steel feet with height adjustment up to 50 mm. Unit can be easily mounted on cantilever systems.
- The three 6 kW and one 10 kW high efficiency burners are available in two different sizes to suit high performing cooking requirements of the most demanding customers:
  - 60 mm burners with continuous power regulation from 1,5 to 6 kW.
  - 100 mm burners with continuous power regulation from 2.2 kW to 10 kW.
- Gas appliance supplied for use with natural or LPG gas, conversion jets supplied as standard.
- Large sized pan support in cast iron (stainless steel as option) with long center fins to allow the use of the largest down to the smallest pans.
- Burners with optimized combustion.
- Flame failure device to each burner protects against accidental extinguishing of the flame.
- Protected pilot light.
- Base compartment consists of a gas heated standard oven with stainless steel burners and self stabilizing flame positioned beneath the base plate. Oven chamber to have 3 levels of runners to accommodate 2/1 GN shelves (2 steam pans) and ribbed cast iron base plate.
- Oven thermostat adjustable from 120 °C to 280 °C.
- 40 mm thick oven door for heat insulation.
- The special design of the control knob system guarantees against water infiltration.
- IPX5 water protection.

### Construction

- Unit is 93 cm deep to give a larger working surface area.
- Exterior panels in Stainless Steel with Scotch Brite finish.
- 2 mm work top in Stainless steel.
- Model has right-angled side edges to allow flush fitting joints between units, eliminating gaps and possible dirt traps.

### Optional Accessories

- Junction sealing kit PNC 206086
- Single burner radiant plate for pan support PNC 206170
- Single burner smooth plate for direct cooking PNC 206171
- Single burner ribbed plate for direct cooking PNC 206172
- Water column extension for 900 line PNC 206290

APPROVAL: \_\_\_\_\_



Electrolux

## Modular Cooking Range Line 900XP 4-Burner Gas Range on Gas Oven

- Side handrail-right/left hand
- Frontal handrail, 800mm

PNC 216044

PNC 216047



**Modular Cooking Range Line  
900XP 4-Burner Gas Range on Gas Oven**

The company reserves the right to make modifications to the products without prior notice. All information correct at time of printing.

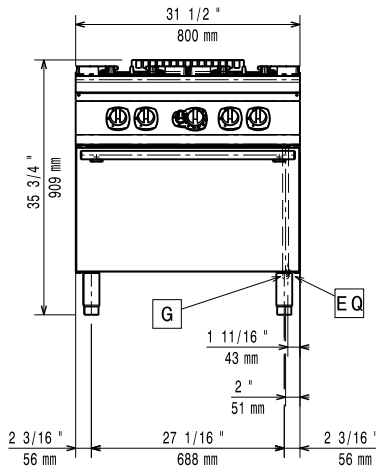
2011.02.21



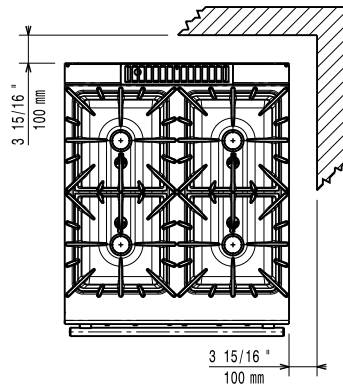
Electrolux

# Modular Cooking Range Line 900XP 4-Burner Gas Range on Gas Oven

Front

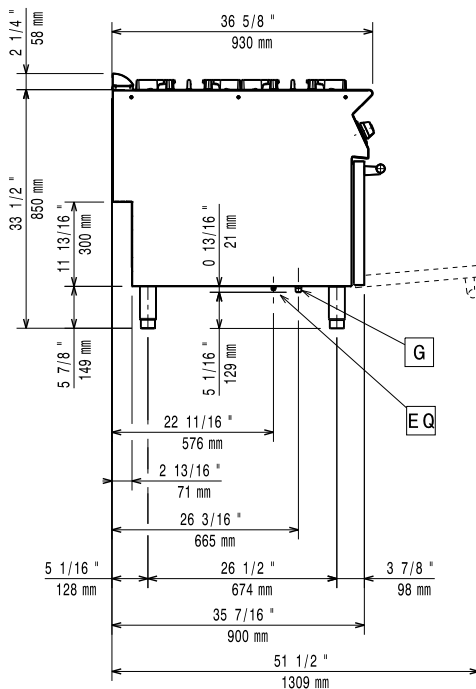


Top



- EQ** = Equipotential screw
- G** = Gas connection

Side



## Gas

### Gas Power:

391005(E9GCGH4CG0) 124429 Btu/hr (36.5 kW)

### Gas Type Option:

LPG; Natural Gas

### Gas Inlet:

1/2" NPT

### Natural gas - Pressure:

7" w.c. (17.4 mbar)

### LPG Gas Pressure:

11" w.c. (27.7 mbar)

## Key Information:

<b>Front Burners Power:</b>	6 - 6 kW
<b>Back Burners Power:</b>	6 - 10 kW
<b>Back Burners Dimension - mm</b>	Ø 60 Ø 100
<b>Front Burners Dimension - mm</b>	Ø 60 Ø 60
<b>Oven working Temperature:</b>	120 °C MIN; 280 °C MAX
<b>Oven Cavity Dimensions (width):</b>	575 mm
<b>Oven Cavity Dimensions (height):</b>	300 mm
<b>Oven Cavity Dimensions (depth):</b>	700 mm
<b>Net weight:</b>	115 kg
<b>Shipping weight:</b>	142 kg
<b>Shipping height:</b>	850 mm
<b>Shipping width:</b>	800 mm
<b>Shipping depth:</b>	930 mm
<b>Shipping volume:</b>	0.62 m <sup>3</sup>

If appliance is set up or next to or against temperature sensitive furniture or similar, a safety gap of approximately 150 mm should be maintained or some form of heat insulation fitted.



Modular Cooking Range Line  
900XP 4-Burner Gas Range on Gas Oven

The company reserves the right to make modifications to the products without prior notice. All information correct at time of printing.