



Electrolux

Modular Cooking Range Line 900XP 6-Burner Gas Range on Gas Oven with Cupboard

ITEM # _____

MODEL # _____

NAME # _____

SIS # _____

AIA # _____



Electrolux

900XP 6-Burner Gas Range on Gas Oven with Cupboard
Modular Cooking Range Line



Modular Cooking Range Line

900XP 6-Burner Gas Range on Gas Oven with Cupboard

391013 (E9GCGL6C10)

900XP 6 GAS BURNERS
6KW ON GAS OVEN WITH
CUPBOARD

Short Form Specification

Item No. _____

Unit to be Electrolux 900XP four 6 kW and two 10 kW gas burner range on gas oven with cupboard. Unit to be installed on stainless steel feet with height adjustment up to 50 mm. High efficiency flower flame burners with continuous power regulation and optimized combustion. Flame failure device as standard on burners to protect against accidental extinguishing. Oven chamber with 3 levels of runners to accommodate 2/1 GN shelves (2 steam pans). Unit to have ribbed, cast-iron oven base plate. Exterior panels of unit in Stainless steel with Scotch Brite finish. Pan supports in heavy duty cast iron. Extra strength work top in heavy duty 2 mm Stainless steel. Unit has right-angled side edges to allow flush-fitting junction between units.

Main Features

- Unit to be mounted on stainless steel feet with height adjustment up to 50 mm. Unit can be easily mounted on cantilever systems.
- The four 6 kW and two 10 kW high efficiency burners are available in two different sizes to suit high performing cooking requirements of the most demanding customers:
 - 60 mm burners with continuous power regulation from 1,5 to 6 kW.
 - 100 mm burners with continuous power regulation from 2.2 kW to 10 kW.
- Cupboard compartment for storage of pots, pans, sheet pans etc.
- Gas appliance supplied for use with natural or LPG gas, conversion jets supplied as standard.
- Large sized pan support in cast iron (stainless steel as option) with long center fins to allow the use of the largest down to the smallest pans.
- Burners with optimized combustion.
- Flame failure device to each burner protects against accidental extinguishing of the flame.
- Protected pilot light.
- Base compartment consists of a gas heated standard oven with stainless steel burners and self stabilizing flame positioned beneath the base plate. Oven chamber to have 3 levels of runners to accommodate 2/1 GN shelves (2 steam pans) and ribbed cast iron base plate.
- Oven thermostat adjustable from 120 °C to 280 °C.
- 40 mm thick oven door for heat insulation.
- The special design of the control knob system guarantees against water infiltration.
- IPX5 water protection.

Construction

- Unit is 93 cm deep to give a larger working surface area.
- Exterior panels in Stainless Steel with Scotch Brite finish.
- 2 mm work top in Stainless steel.
- Model has right-angled side edges to allow flush fitting joints between units, eliminating gaps and possible dirt traps.

Optional Accessories

- Junction sealing kit PNC 206086
- Single burner radiant plate for pan support PNC 206170
- Single burner smooth plate for direct cooking PNC 206171
- Single burner ribbed plate for direct cooking PNC 206172

APPROVAL: _____



Electrolux

Modular Cooking Range Line 900XP 6-Burner Gas Range on Gas Oven with Cupboard

- Water column extension for 900 line PNC 206290
- Side handrail-right/left hand PNC 216044



**Modular Cooking Range Line
900XP 6-Burner Gas Range on Gas Oven with Cupboard**

The company reserves the right to make modifications to the products without prior notice. All information correct at time of printing.

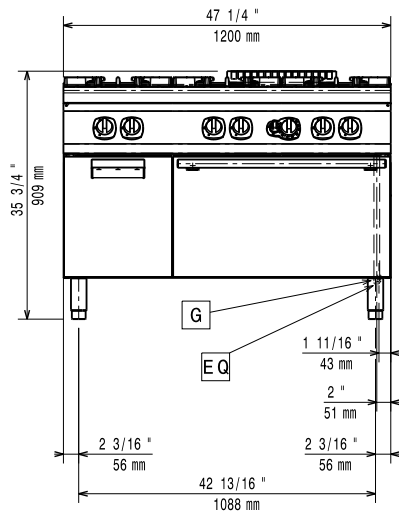
2011.04.27



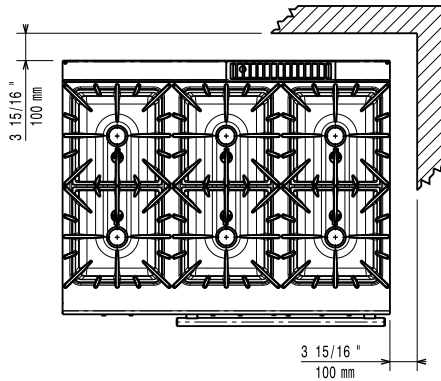
Electrolux

Modular Cooking Range Line 900XP 6-Burner Gas Range on Gas Oven with Cupboard

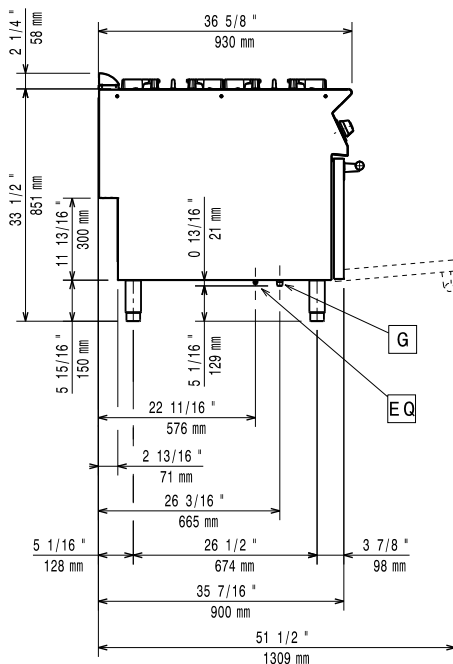
Front



Top



Side



EQ = Equipotential screw
G = Gas connection

Gas

Gas Power:

391013(E9GCGL6C10) 178973 Btu/hr (52.5 kW)

Gas Type Option:

LPG; Natural Gas

Gas Inlet:

1/2" NPT

Natural gas - Pressure:

7" w.c. (17.4 mbar)

LPG Gas Pressure:

11" w.c. (27.7 mbar)

Key Information:

Front Burners Power:	6 - 6 kW
Back Burners Power:	10 - 10 kW
Middle Burners Power:	6 - 0/6 - 0 kW
Back Burners Dimension - mm	Ø 100 Ø 100
Front Burners Dimension - mm	Ø 60 Ø 60
Middle Burners Dimension - mm	Ø 60 Ø 60
Oven working Temperature:	120 °C MIN; 280 °C MAX
Oven Cavity Dimensions (width):	575 mm
Oven Cavity Dimensions (height):	300 mm
Oven Cavity Dimensions (depth):	700 mm
Net weight:	203 kg
Shipping weight:	183 kg
Shipping height:	850 mm
Shipping width:	1200 mm
Shipping depth:	930 mm
Shipping volume:	0.93 m ³

If appliance is set up or next to or against temperature sensitive furniture or similar, a safety gap of approximately 150 mm should be maintained or some form of heat insulation fitted.



Modular Cooking Range Line
900XP 6-Burner Gas Range on Gas Oven with Cupboard

The company reserves the right to make modifications to the products without prior notice. All information correct at time of printing.