

## MARENO ANBR9-8GF

### 80L GAS BRATT PAN

Gas tilting bratt pan constructed in 304 stainless steel. Cooking tank with manual tilt mechanism, constructed in stainless steel, bottom in 12mm thick mild steel, 80-litre capacity, rectangular in shape with rounded corners for ease of cleaning, Double skinned lid with drip zone at rear for conveying condensate liquid into the pan, fitted with sturdy 304 stainless steel hinges with spring balancing. Water faucet standard and operated by push button. Satin-finish 304 tubular steel handle with front grip, joined to lid. Steel burner assembly with stabilized flame underneath the tank. Electric pilot burner ignition operated by gas valve pushbutton. Temperature control from 100° to 280 C°. Safety thermostat. Orange indicator light on control panel indicates appliance operation. Heating automatically turned off when pan is tilted. Height adjustable feet in stainless steel. IPX5 protection rating.



### STANDARD FEATURES

- Heavy Duty 2mm thick pressed tops
- High efficiency burners
- Modern appealing look
- Hygiene valve collar on all front controls
- Flame failure and pilot lights standard
- Modular design
- IPX5 water rating
- Easy to clean
- Water faucet
- 12mm thick cooking surface

SPECIFICATIONS ARE SUBJECT TO CHANGE WITHOUT NOTICE.

*From the world of Comcater!*

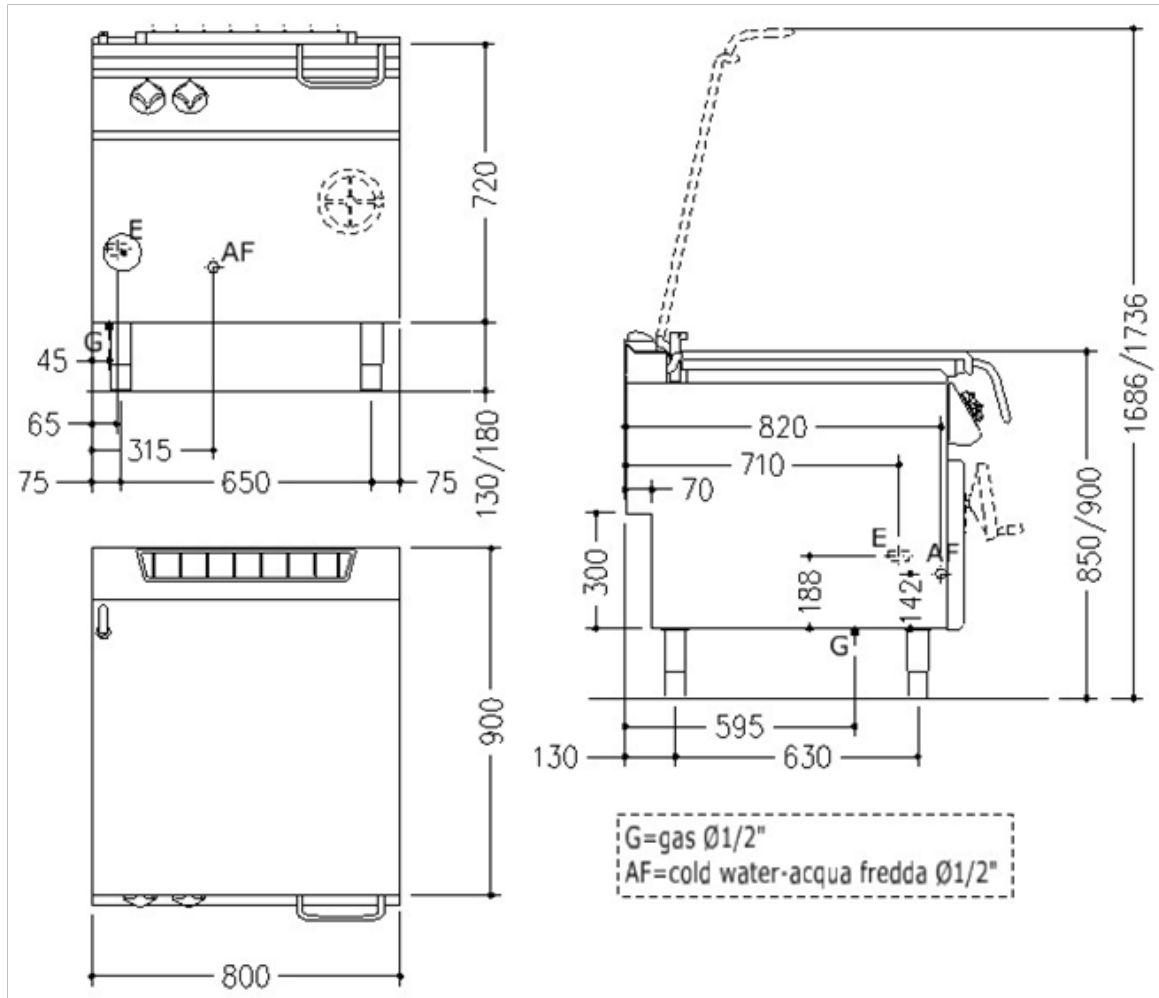
**National Head Office**  
156 Swann Drive  
Derrimut VIC 3030  
Tel: +61 3 8369 4600  
Fax: +61 3 8369 4695

**Melbourne**  
96-100 Tope Street,  
South Melbourne VIC 3205  
Tel: +61 3 8369 4600  
Fax: +61 2 8699 1299

**Sydney**  
20/4 Avenue of the Americas  
Newington, NSW 2127  
Tel: +61 2 9748 3000  
Fax: +61 2 9 648 4762

**Brisbane**  
1/62 Borthwick Avenue  
Murarrie QLD 4172  
Tel: +61 7 3399 3122  
Fax: +61 7 3399 5311

# ANBR9-8GF



## DIMENSIONS

External Dimension: 930D x 800W x 850-900H mm

## TECHNICAL DATA

Gas type	Natural or LP
Total Output (gas)	72mj
Power Supply	VAC230-1 50/60 Hz
Total Output (electric)	0.2kW
Gas Connection	1/2"
Water Connection	1/2" cold water
Capacity	80Lt
AGA approval number	7412

SPECIFICATIONS ARE SUBJECT TO CHANGE WITHOUT NOTICE.



www.comcater.com.au

PROUDLY DISTRIBUTED BY: