

MARENO ANBR9-8GFM

80L GAS BRATT PAN

Gas tilting bratt pan constructed in 304 stainless steel. Cooking tank base in 12mm thick mild steel with motorized tilt mechanism, 80-litre capacity, rectangular in shape with rounded corners for ease of cleaning. Double skinned lid with drip zone at rear for conveying condensate liquid into the pan, fitted with sturdy 304 stainless steel hinges with spring balancing. Fixed water faucet located on top. Satin-finish 304 tubular steel handle with front grip, joined to lid. Steel burners with stabilized flame underneath the tank. Electric pilot burner ignition operated by gas valve pushbutton. Temperature control from 100° to 280 C°. Safety thermostat. Orange indicator light on control panel indicates appliance operation. Heating automatically turned off when pan is tilted. Height adjustable feet in stainless steel. IPX5 protection rating.



STANDARD FEATURES

- Heavy Duty 2mm thick pressed tops
- High efficiency burners
- Modern appealing look
- Hygiene valve collar on all front controls
- Flame failure and pilot lights standard
- Modular design
- IPX5 water rating
- Easy to clean
- Water faucet
- 12mm thick cooking surface

SPECIFICATIONS ARE SUBJECT TO CHANGE WITHOUT NOTICE.

From the world of Comcater!

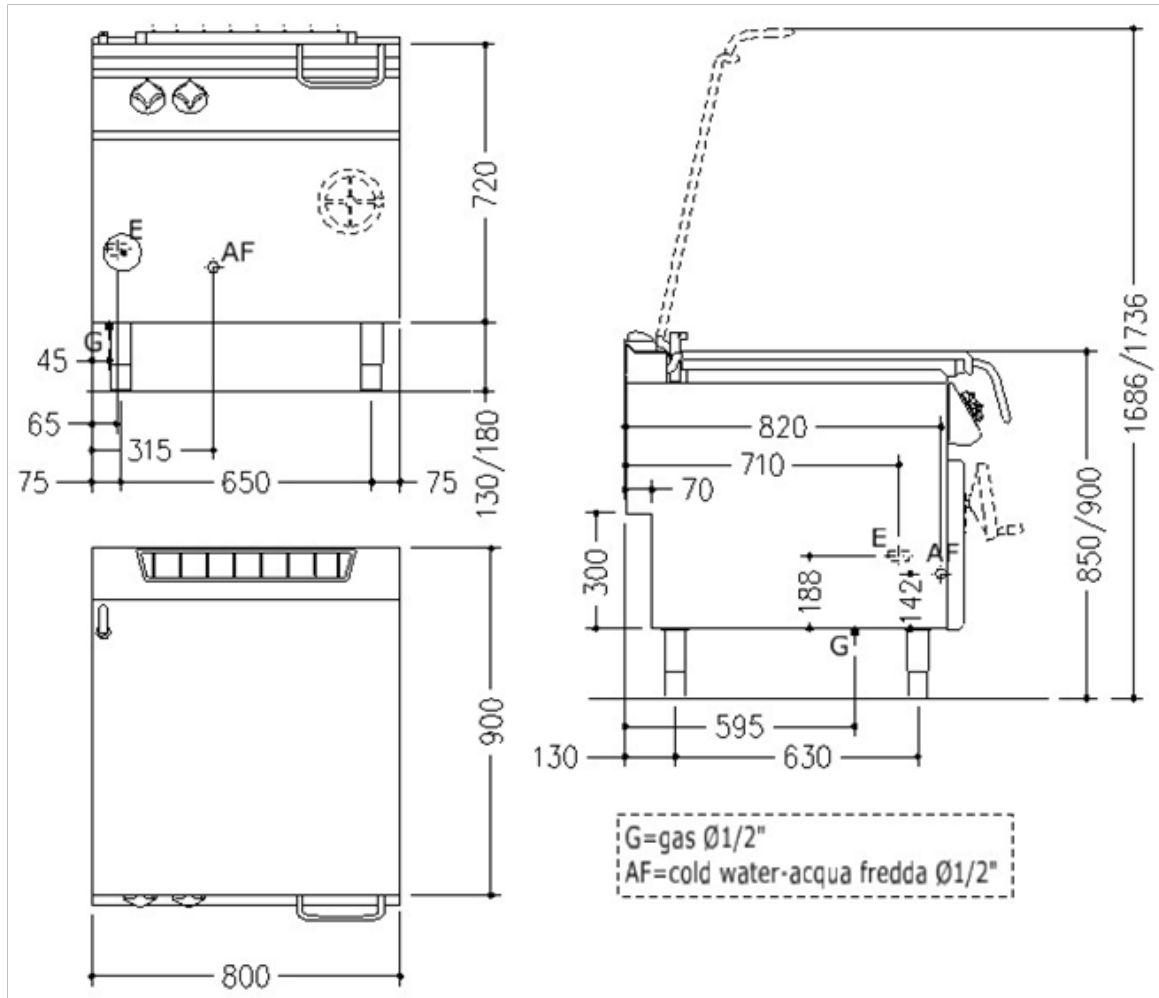
National Head Office
156 Swann Drive
Derrimut VIC 3030
Tel: +61 3 8369 4600
Fax: +61 3 8369 4695

Melbourne
96-100 Tope Street,
South Melbourne VIC 3205
Tel: +61 3 8369 4600
Fax: +61 2 8699 1299

Sydney
20/4 Avenue of the Americas
Newington, NSW 2127
Tel: +61 2 9748 3000
Fax: +61 2 9 648 4762

Brisbane
1/62 Borthwick Avenue
Murarrie QLD 4172
Tel: +61 7 3399 3122
Fax: +61 7 3399 5311

ANBR9-8GFM



DIMENSIONS

External Dimension: 930D x 800W x 850-900H mm

TECHNICAL DATA

Gas type	Natural or LP
Total Output (gas)	72mj
Power Supply	VAC230-1 50/60 Hz
Total Output (electric)	0.2kW
Gas Connection	1/2"
Water Connection	1/2" cold water
Capacity	80Lt
AGA approval number	7412

SPECIFICATIONS ARE SUBJECT TO CHANGE WITHOUT NOTICE.



www.comcater.com.au

PROUDLY DISTRIBUTED BY: