

## MARENO ANC9FG-8G48

### 4 BURNER RANGE

4 burner gas oven range constructed from 304 stainless steel. 2mm pressed top, designed for flush alignment and to accommodate water column accessory. Range comprises 4 sealed open burners with output of 36mj each complete with flame failure with pilot for continuous output control from 9mj to 36mj. Pilot burner and flame failure thermocouple are located underneath the main burner body, protected from accidental impact and any spills. Hob features rounded corners for ease of cleaning and pan supports in enameled cast-iron (acid, alkali and flame resistant). GN 2/1 gas oven with thermostatic control valve providing temperature adjustment from 50°C to 300°C. Burner complete with stabilized flame and pilot flame failure safety thermocouple and piezo ignition. Cooking chamber in stainless steel, dimensions 575x700x300h mm. Oven power 29mj. Oven base in cast iron. Appliance equipped with height adjustable feet in stainless steel. IPX5 protection rating.



### STANDARD FEATURES

- Heavy Duty 2mm thick pressed tops
- High efficiency burners
- Modern appealing look
- Flame failure and pilot lights standard
- Hygiene valve collar on all front controls
- Modular design
- IPX5 water rating
- Easy to clean

SPECIFICATIONS ARE SUBJECT TO CHANGE WITHOUT NOTICE.

*From the world of Comcater!*

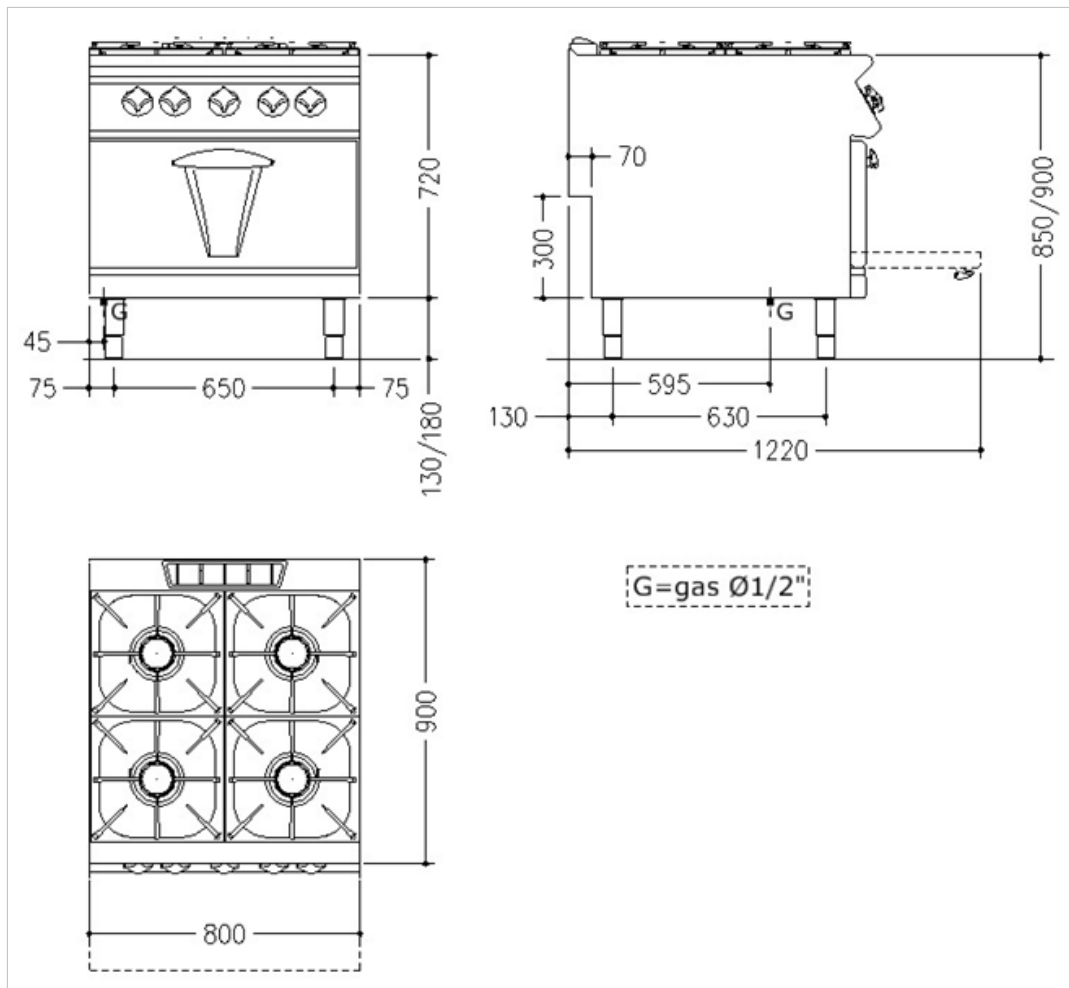
**National Head Office**  
156 Swann Drive  
Derrimut VIC 3030  
Tel: +61 3 8369 4600  
Fax: +61 3 8369 4695

**Melbourne**  
96-100 Tope Street,  
South Melbourne VIC 3205  
Tel: +61 3 8369 4600  
Fax: +61 2 8699 1299

**Sydney**  
20/4 Avenue of the Americas  
Newington, NSW 2127  
Tel: +61 2 9748 3000  
Fax: +61 2 9 648 4762

**Brisbane**  
1/62 Borthwick Avenue  
Murarrie QLD 4172  
Tel: +61 7 3399 3122  
Fax: +61 7 3399 5311

# ANC9FG-8G48



## DIMENSIONS

External Dimension: 930D x 800W x 850-900H mm

Oven Dimensions : 575D x 700W x 300H mm

## TECHNICAL DATA

Gas type	Natural or LP
Total Output (gas)	173mj
Open Burner (gas)	4x36mj
Oven Burner (gas)	1x29mj
Gas Connection	1/2"
AGA approval number	7410

SPECIFICATIONS ARE SUBJECT TO CHANGE WITHOUT NOTICE.



www.comcater.com.au

PROUDLY DISTRIBUTED BY: