

MARENO ANFT7-6GL

GAS FRY-TOP WITH SMOOTH FRY PLATE

Gas fry-top with smooth fry plate, constructed in AISI 304 stainless steel. Splash guard around three sides and front grease channel with drainage hole connected to a large capacity removable drainage drawer. Heated by stable-flame steel burner complete with pilot flame and safety thermocouple. Gas supply controlled by safety valve. Automatic piezoelectric ignition. Cooking surface: 550 x 500mm.



Shown on top of optional cabinet

STANDARD FEATURES

- Heavy Duty 1.5mm thick pressed tops
- High efficiency burners
- Modern appealing look
- Flame failure and pilot lights standard
- Interlocking device supplied standard on all units
- Modular design
- IPX4 water rating
- Easy to clean

SPECIFICATIONS ARE SUBJECT TO CHANGE WITHOUT NOTICE.

From the world of Comcater!

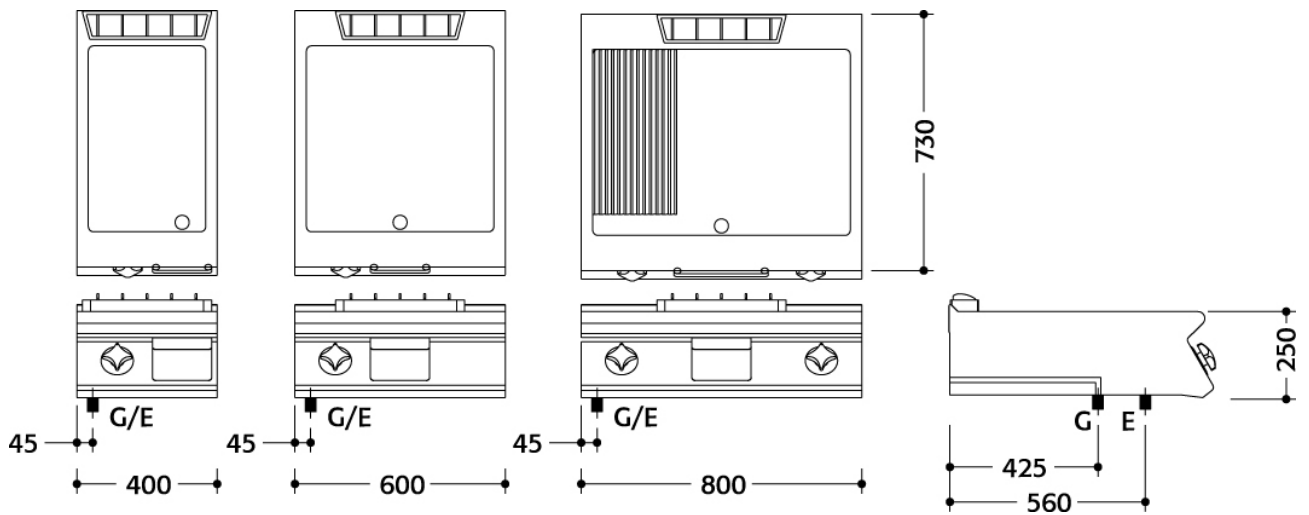
National Head Office
156 Swann Drive
Derrimut VIC 3030
Tel: +61 3 8369 4600
Fax: +61 3 8369 4695

Melbourne
96-100 Tope Street,
South Melbourne VIC 3205
Tel: +61 3 8369 4600
Fax: +61 2 8699 1299

Sydney
20/4 Avenue of the Americas
Newington, NSW 2127
Tel: +61 2 9748 3000
Fax: +61 2 9 648 4762

Brisbane
1/62 Borthwick Avenue
Murarrie QLD 4172
Tel: +61 7 3399 3122
Fax: +61 7 3399 5311

MARENO ANFT7-6GL



DIMENSIONS

External Dimension: 730D x 600W x 230H mm

TECHNICAL DATA

Gas Type	Natural or LP
Total Output (gas)	33mj
Gas Connection	1/2"

SPECIFICATIONS ARE SUBJECT TO CHANGE WITHOUT NOTICE.



www.comcater.com.au

PROUDLY DISTRIBUTED BY: