

MARENO ANG9-4G

400 MM GAS GRILL

Gas grill/BBQ constructed in 304 stainless steel. Reversible cast iron cooking grids for meats and other products, 135 cm tall splashguard on three sides. Grease collection channel at front, easily removed for cleaning. Removable drawer for collecting cooking fats or holding water, positioned underneath the heating elements. The water allows the cooking fats to cool. Evaporation of water ensures grilled food will be tender. Controls positioned on fixed front control panel. Heating by means of burner in stainless steel positioned under the grille, protected by the 316 stainless steel diffuser, easily removed for cleaning. Heat is adjusted by means high/lo valve with flame failure and a pilot burner. Piezo ignition. Scraper for cleaning grill supplied. Appliance equipped with height adjustable feet in stainless steel. IPX5 protection rating.



STANDARD FEATURES

- Heavy Duty 2mm thick pressed tops
- High efficiency burners
- Modern appealing look
- Flame failure and pilot lights standard
- Reversible meat / fish grids
- Modular design
- IPX5 water rating
- Easy to clean

SPECIFICATIONS ARE SUBJECT TO CHANGE WITHOUT NOTICE.

From the world of Comcater!

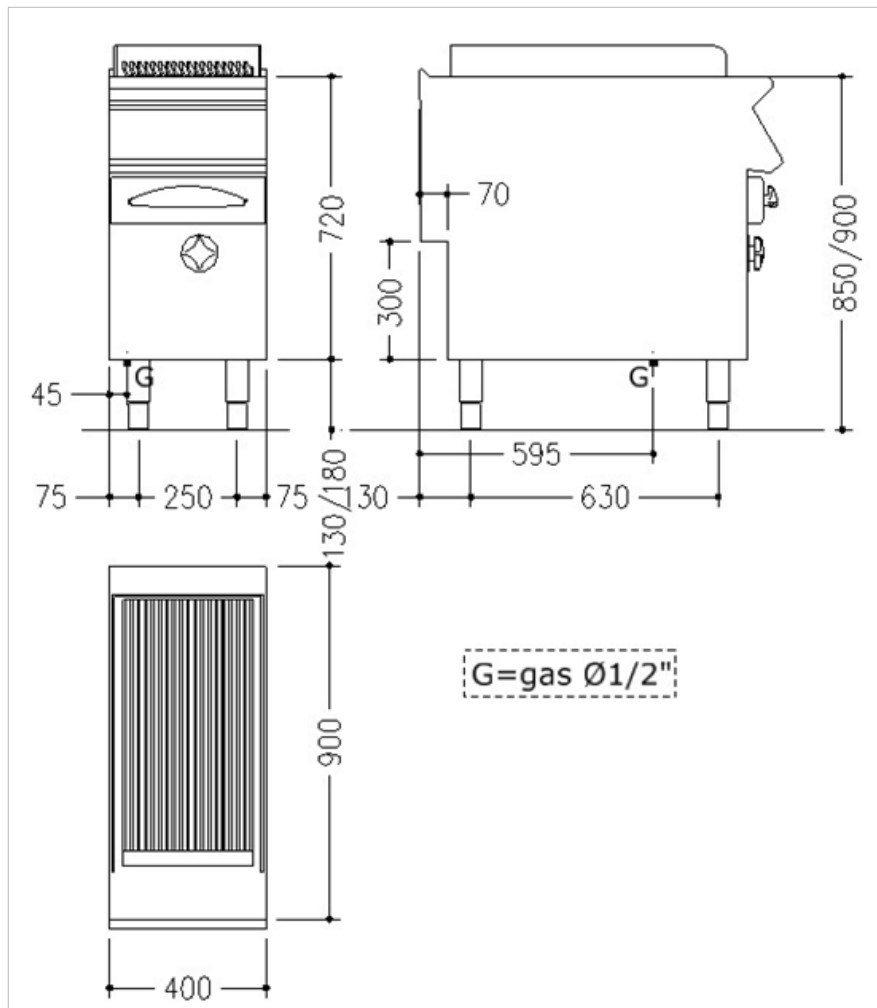
National Head Office
156 Swann Drive
Derrimut VIC 3030
Tel: +61 3 8369 4600
Fax: +61 3 8369 4695

Melbourne
96-100 Tope Street,
South Melbourne VIC 3205
Tel: +61 3 8369 4600
Fax: +61 2 8699 1299

Sydney
20/4 Avenue of the Americas
Newington, NSW 2127
Tel: +61 2 9748 3000
Fax: +61 2 9 648 4762

Brisbane
1/62 Borthwick Avenue
Murarrie QLD 4172
Tel: +61 7 3399 3122
Fax: +61 7 3399 5311

ANG9-4G



DIMENSIONS

External Dimension: 930D x 400W x 850-900H mm

TECHNICAL DATA

Gas Type	Natural or LP
Total Output (gas)	40mj
Gas Connection	1/2"
AGA approval number	7416

SPECIFICATIONS ARE SUBJECT TO CHANGE WITHOUT NOTICE.



www.comcater.com.au

PROUDLY DISTRIBUTED BY: