

## MARENO ANPI9-8G10

### 100-LITRE INDIRECT HEAT GAS BOILING PAN

Indirect heated gas boiling pan constructed in 304 stainless steel. Top in 2mm thick 304 stainless steel. Kettle bottom in polished 316L stainless steel, walls in 304 stainless steel. 100-litre capacity. Filling with hot or cold water through solenoid valve activated by a switch, fixed water tap located on top. 50mm safety drain tap with grip in heatproof material. Counter-balanced lid with 90° opening and handle offering front and side grip. Indirect heating with 304 stainless steel burners positioned outside the kettle. Gas safety valve with electric ignition on front panel. Thick insulating panels for thermal insulation of kettle. Temperature controlled by an energy regulator. Indicator LED for verifying correct appliance operation. Diameter of kettle 600mm. Model equipped with safety thermostat with reset button accessible to the user. Height adjustable feet in stainless steel. IPX5 protection rating.



### STANDARD FEATURES

- Heavy Duty 2mm thick pressed tops
- High efficiency burners
- Modern appealing look
- Indirect heating source
- Modular design
- IPX5 water rating
- Easy to clean
- Removable drain tap

SPECIFICATIONS ARE SUBJECT TO CHANGE WITHOUT NOTICE.

*From the world of Comcater!*

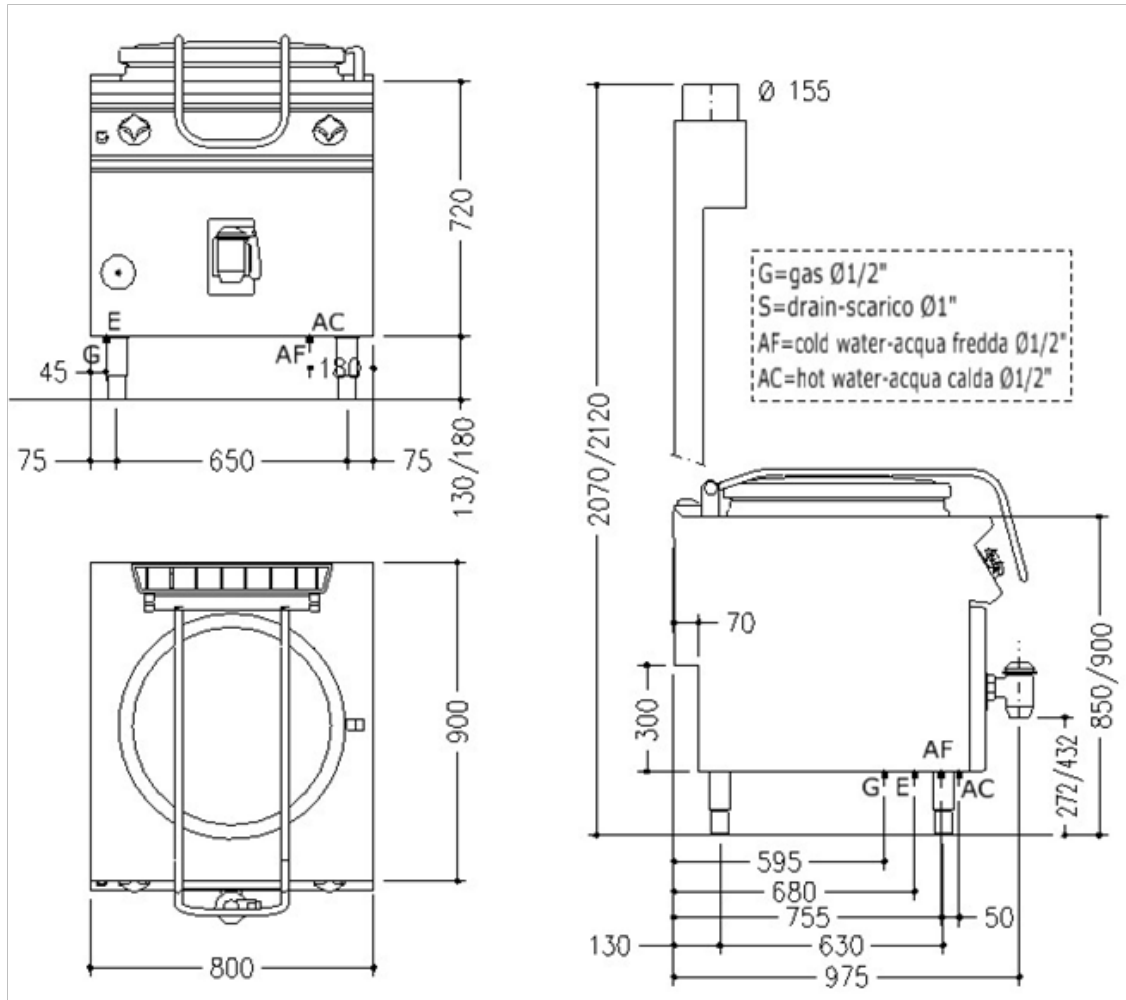
**National Head Office**  
156 Swann Drive  
Derrimut VIC 3030  
Tel: +61 3 8369 4600  
Fax: +61 3 8369 4695

**Melbourne**  
96-100 Tope Street,  
South Melbourne VIC 3205  
Tel: +61 3 8369 4600  
Fax: +61 2 8699 1299

**Sydney**  
20/4 Avenue of the Americas  
Newington, NSW 2127  
Tel: +61 2 9748 3000  
Fax: +61 2 9 648 4762

**Brisbane**  
1/62 Borthwick Avenue  
Murarrie QLD 4172  
Tel: +61 7 3399 3122  
Fax: +61 7 3399 5311

# ANPI9-8G10



## DIMENSIONS

External Dimension: 930D x 800W x 850-900H mm

## TECHNICAL DATA

Gas Type	Natural or LP
Total Output (gas)	76mj
Power Supply	VAC230-1 50Hz
Total Output (electric)	0.2kW
Gas Connection	1/2"
Water Connection	1/2" Cold water 1/2" Hot water
Drain	1"

SPECIFICATIONS ARE SUBJECT TO CHANGE WITHOUT NOTICE.



www.comcater.com.au

PROUDLY DISTRIBUTED BY: