

MARENO ANT7FG-8G

SOLID TOP GAS HOTPLATE WITH GAS OVEN

Solid top gas hotplate with gas oven constructed in AISI 304 stainless steel. Radiant hotplate in heavy gauge cast iron, with fins for correct heat diffusion and central "bulls-eye". Heated by a high-power double-ring burner in cast iron for temperatures up to 500°C in the centre of the plate. Complete with pilot burner and safety thermocouple. Gas supply controlled by thermostatic safety valve. Automatic piezoelectric ignition. Hotplate dimensions: 795 x 580 mm. GN 2/1 gas oven with thermostatic control valve providing temperature adjustment from 100°C to 330°C. Stable flame burner complete with pilot flame, safety thermocouple and piezoelectric ignition. Internal dimensions of oven: 535W x 650D x 300h mm. Oven power: 29mj. The appliance is supported on height-adjustable stainless-steel feet.



STANDARD FEATURES

- Heavy Duty 1.5mm thick pressed tops
- Easy to remove high efficiency burners
- Modern appealing look
- Flame failure and pilot lights standard
- Interlocking device supplied standard on all units
- Modular design
- IPX4 water rating
- Easy to clean

SPECIFICATIONS ARE SUBJECT TO CHANGE WITHOUT NOTICE.

From the world of Comcater!

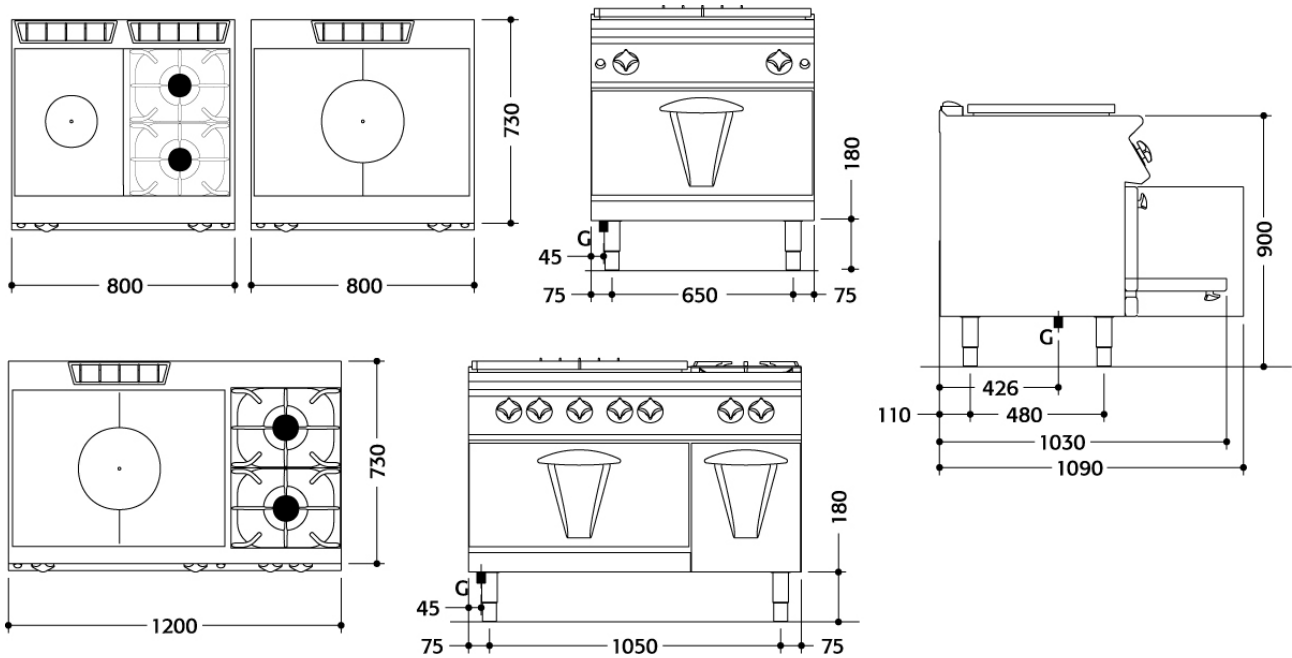
National Head Office
156 Swann Drive
Derrimut VIC 3030
Tel: +61 3 8369 4600
Fax: +61 3 8369 4695

Melbourne
96-100 Tope Street,
South Melbourne VIC 3205
Tel: +61 3 8369 4600
Fax: +61 2 8699 1299

Sydney
20/4 Avenue of the Americas
Newington, NSW 2127
Tel: +61 2 9748 3000
Fax: +61 2 9 648 4762

Brisbane
1/62 Borthwick Avenue
Murarrie QLD 4172
Tel: +61 7 3399 3122
Fax: +61 7 3399 5311

MARENO ANT7FG-8G



DIMENSIONS

External Dimension: 730D x 800W x 850-900H mm

Oven Dimension: 535W x 650D x 300H mm

TECHNICAL DATA

Gas Type	Natural or LP
Total Output (gas)	61mj
Burners	1 x 32mj
Oven Burner (gas)	1 x 29mj
Gas Connection	1/2"

SPECIFICATIONS ARE SUBJECT TO CHANGE WITHOUT NOTICE.



www.comcater.com.au

PROUDLY DISTRIBUTED BY: