

MARENO ANT9FG-12G

SOLID TOP (Target Top) GAS HOTPLATE WITH 2 OPEN BURNERS AND GAS OVEN

Solid top (target top) range constructed in 304 stainless steel. 2mm thick top, designed for flush alignment and to accommodate the water column accessory. Target top hotplate in heavy gauge cast iron with fins for optimum heat diffusion and central bullseye. Heating by means of a high-power double-crown burner in cast iron for temperatures of up to 500°C in the centre of the hotplate and 200 °C near the edges, complete with pilot burner and flame failure thermocouple. Gas supply controlled by thermostatic safety valve. Piezo ignition. Hotplate dimensions: 780x700 mm. Appliance comprises 2 sealed burners, 1 with maximum output of 22mj, the other with 36mj complete with pilot light for continuous output control from 6mj to 22mj and from 9mj to 36mj respectively. Pilot burner and thermocouple are located underneath the main burner body, protected from accidental impact and any spills. Top features rounded corners for ease of cleaning and trivets in enameled cast-iron (acid, alkali and flame resistant). GN 2/1 gas oven with thermostatic control valve providing temperature adjustment from 50°C to 300°C. Oven burner with stabilized flame complete with pilot burner, flame failure thermocouple and piezo ignition. Cooking chamber in stainless steel, dimensions 575x700x300h mm. Oven power 29mj. Oven bottom in cast iron, oven inner door in stainless steel. Appliance equipped with height adjustable feet in stainless steel. 400 mm neutral cabinet with hinged door. IPX5 protection rating.



STANDARD FEATURES

- Heavy Duty 2mm thick pressed tops
- High efficiency burners
- Modern appealing look
- Flame failure and pilot lights standard
- Hygiene valve collar on all front controls
- Modular design
- IPX5 water rating
- Easy to clean
- 30mm thick iron top

SPECIFICATIONS ARE SUBJECT TO CHANGE WITHOUT NOTICE.

From the world of Comcater!

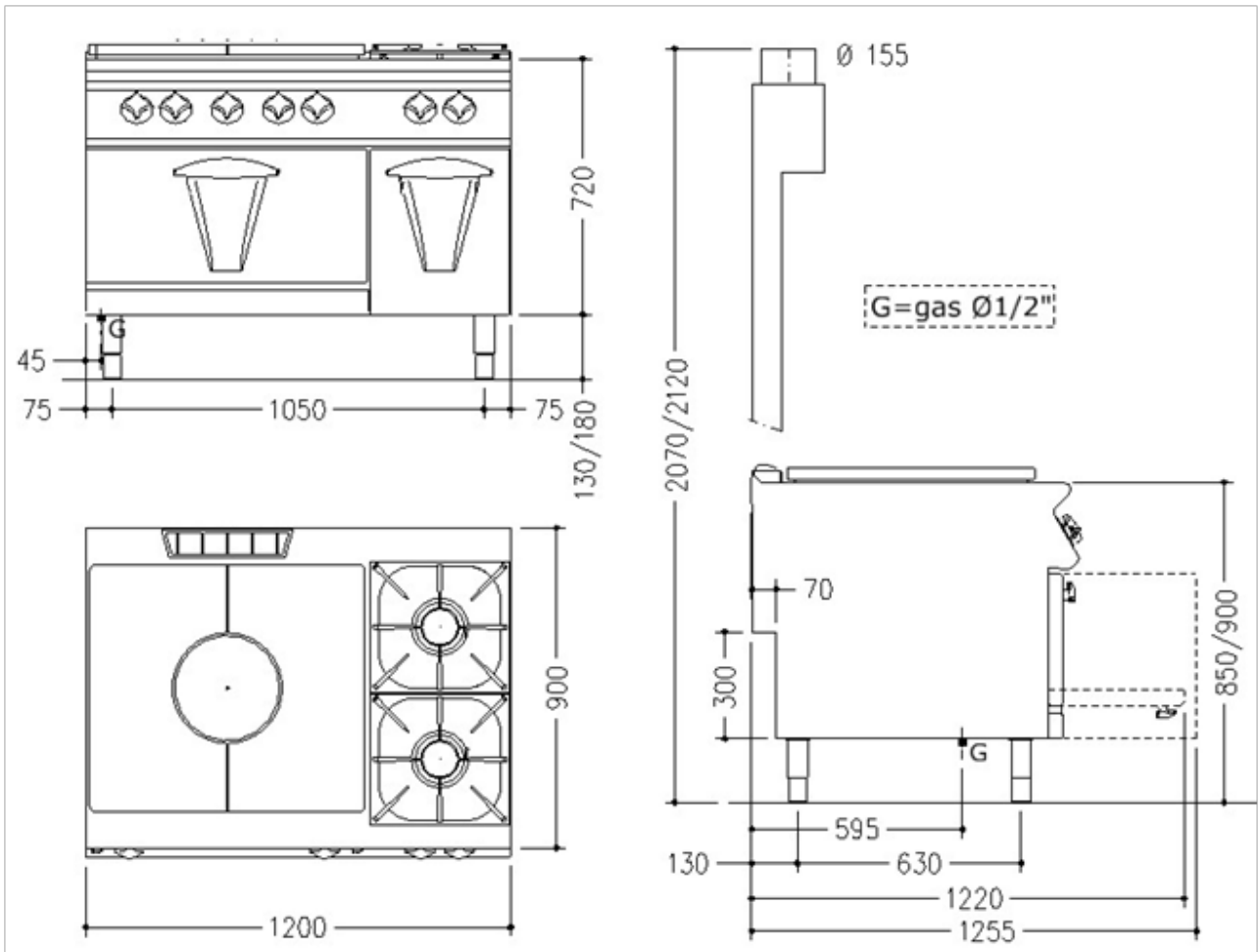
National Head Office
156 Swann Drive
Derrimut VIC 3030
Tel: +61 3 8369 4600
Fax: +61 3 8369 4695

Melbourne
96-100 Tope Street,
South Melbourne VIC 3205
Tel: +61 3 8369 4600
Fax: +61 2 8699 1299

Sydney
20/4 Avenue of the Americas
Newington, NSW 2127
Tel: +61 2 9748 3000
Fax: +61 2 9 648 4762

Brisbane
1/62 Borthwick Avenue
Murarrie QLD 4172
Tel: +61 7 3399 3122
Fax: +61 7 3399 5311

ANT9FG-12G



DIMENSIONS

External Dimension: 930D x 1200W x 850-900H mm

Oven Dimension: 575D x 700W x 300H mm

TECHNICAL DATA

Gas type	Natural or LP
Total Output (gas)	126mj
Target Burner (gas)	1x40mj
Open Burner (gas)	1x22mj 1x36mj
Oven Burner (gas)	1x29mj
Gas Connection	1/2"
AGA approval number	7418

SPECIFICATIONS ARE SUBJECT TO CHANGE WITHOUT NOTICE.



www.comcater.com.au

PROUDLY DISTRIBUTED BY: