

ALTO SHAAM 750-S

LOW TEMPERATURE HOT HOLDING CABINETS

Single compartment holding cabinets with stainless steel exterior and door. The cabinet includes ON/OFF power switch, adjustable temperature knob with a temperature range of 16° to 93°C, indicator light and digital display.



STANDARD FEATURES

- HALO HEAT...a controlled, uniform heat source that gently surrounds food for better appearance, taste, and longer holding life.
- Holds hot food hot...meat, poultry, fish, potatoes, casseroles, vegetables, rolls, etc.
- Close temperature tolerance and even heat application maintain ideal serving temperatures throughout the cabinet.
- Stainless steel interior resists corrosion.
- Available in reach-in or pass-through design.
- Casters provide easy mobility.
- Can be stacked with an identical unit or cook/hold oven to save space.
- Antimicrobial handle retards the growth of illness-causing pathogens.

SPECIFICATIONS ARE SUBJECT TO CHANGE WITHOUT NOTICE.

From the world of Comcater!

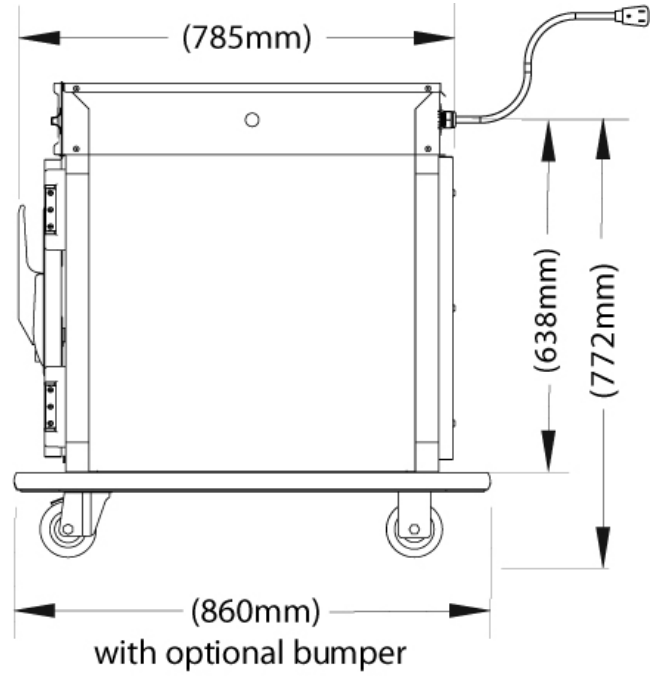
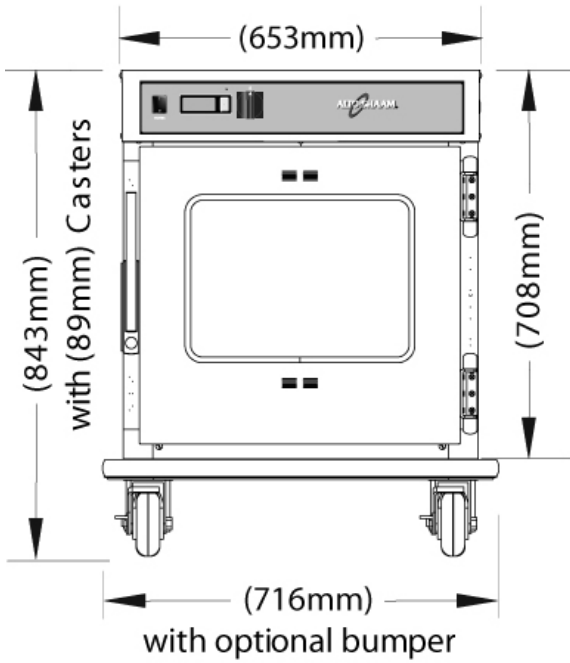
National Head Office
156 Swann Drive
Derrimut VIC 3030
Tel: +61 3 8369 4600
Fax: +61 3 8369 4695

Melbourne
96-100 Tope Street,
South Melbourne VIC 3205
Tel: +61 3 8369 4600
Fax: +61 2 8699 1299

Sydney
20/4 Avenue of the Americas
Newington, NSW 2127
Tel: +61 2 9748 3000
Fax: +61 2 9 648 4762

Brisbane
1/62 Borthwick Avenue
Murarrie QLD 4172
Tel: +61 7 3399 3122
Fax: +61 7 3399 5311

ALTO SHAAM 750-S



- * 817mm - with optional 64mm casters
- * 878mm - with optional 127mm casters
- * 884mm - with optional 152mm legs (approximate)

DIMENSIONS

External Dimension: 843H x 653W x 785D mm

Internal Dimensions: 510H x 557W x 673D mm

TECHNICAL DATA

Power Supply	10 amp single phase. 240 Volts
Voltage	240
Phase	1
Hertz	50
Amps	4.3
kW	0.99

SPECIFICATIONS ARE SUBJECT TO CHANGE WITHOUT NOTICE.



www.comcater.com.au

PROUDLY DISTRIBUTED BY: