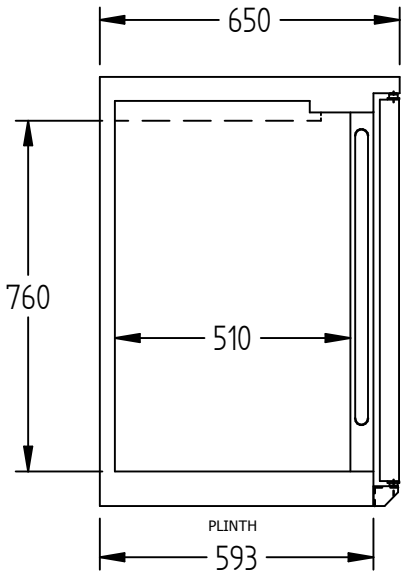
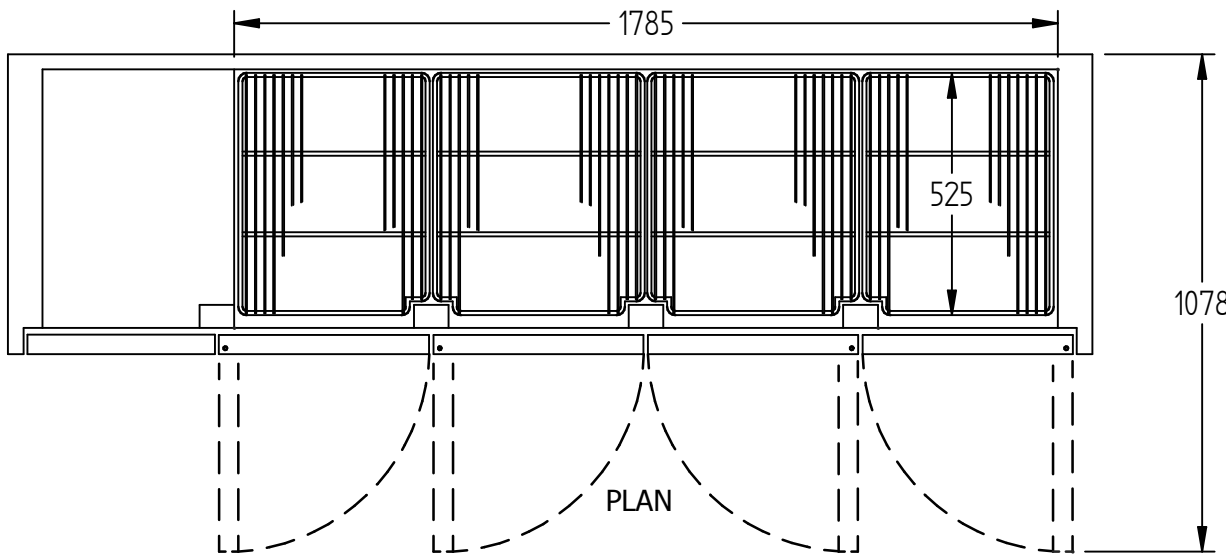
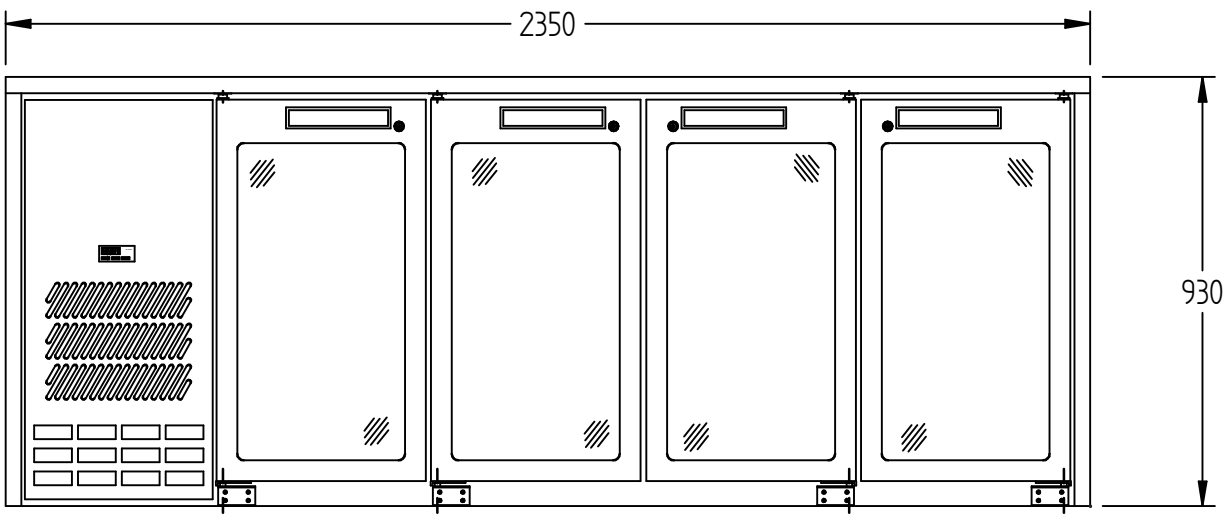




A  
B  
C  
D  
E  
F



END ELEVATION



FRONT ELEVATION

01	New internal measurements added	08.06.11	RK
REV	DESCRIPTION	DATE	BY



REFRIGERATION  
AUST. PTY. LTD.

UNLESS OTHERWISE STATED ALL DIMENSIONS IN MILLIMETERS.  
GENERAL TOLERANCES:

UP TO 6	±0.1
7 TO 30	±0.2
31 TO 120	±0.3
121 TO 315	±0.5
316 TO 1000	±0.8
1000 & OVER	±1.2

LINEAR

ANGULAR ±1°

DRAWN: WRA  
DATE: 30 10 00  
CHECKED:  
DRAFTING STANDARD AS 1100

MATERIAL: -  
MODEL: C650 4U  
TITLE: CAMEO - BACK BAR

STOCK No. --  
DWG: C6504U

