

## CLEVELAND SET10

### TILTING SKILLETS

Rectangular electric self contained tilting skillets with 42lt capacity.



### STANDARD FEATURES

- Heat Element are cast integrally into 32mm thick aluminum blocks which are securely camped to the underside of the cooking surface, providing even heat distribution and energy efficiency with rapid heat-up
- Stainless Steel Cooking Surface is structurally braced to prevent warping
- Splash Proof
- Bead-blast Textured Cooking Surface Finish to reduce sticking
- Two Position Cooking Setting-Horizontal and 9° forward Tilt
- Skillet and Frame are Type 304 Stainless Steel Construction, with #4 Finish
- Thermostat Control conveniently located in a Drip Proof Side Console. Temperature Controlled from 88°C to 227°C
- Sanitary Base Mounting for Table Top Installation
- Lift-Off Cover

### OPTIONAL FEATURES

- Poaching Pans (PP)
- Vegetable Steamer (VS)
- Double or Single Water Faucet with Swing Spout (DPS) or (SPS)
- Stainless Steel Support Stands (ST28) with Sliding Drain Drawer and Splash Screen
- Food Strainer (SF15)

SPECIFICATIONS ARE SUBJECT TO CHANGE WITHOUT NOTICE.

*From the world of Comcater!*

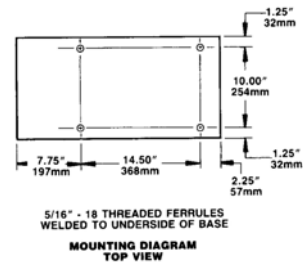
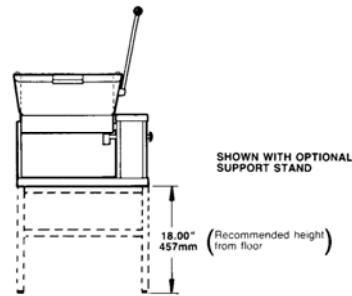
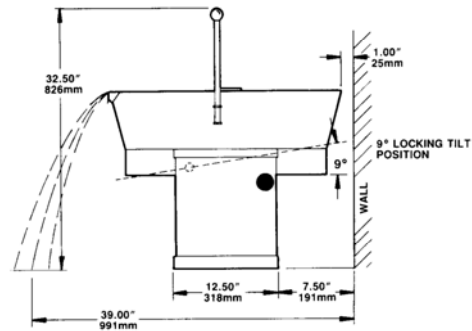
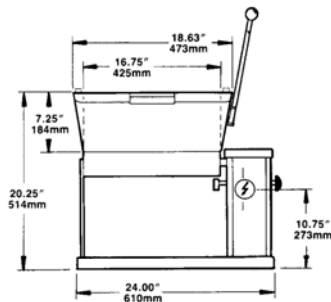
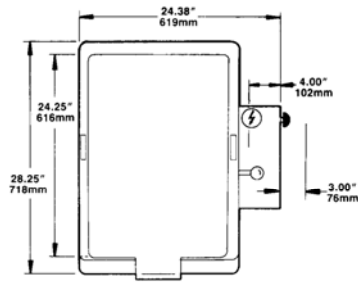
**National Head Office**  
156 Swann Drive  
Derrimut VIC 3030  
Tel: +61 3 8369 4600  
Fax: +61 3 8369 4695

**Melbourne**  
96-100 Tope Street,  
South Melbourne VIC 3205  
Tel: +61 3 8369 4600  
Fax: +61 2 8699 1299

**Sydney**  
20/4 Avenue of the Americas  
Newington, NSW 2127  
Tel: +61 2 9748 3000  
Fax: +61 2 9 648 4762

**Brisbane**  
1/62 Borthwick Avenue  
Murarrie QLD 4172  
Tel: +61 7 3399 3122  
Fax: +61 7 3399 5311

# CLEVELAND SET10



## DIMENSIONS

External: 473W x 718D x 514H mm

## TECHNICAL DATA

Power Supply 415V, 3 Phase, 18.9amp

Energy Rating 7.8kW

SPECIFICATIONS ARE SUBJECT TO CHANGE WITHOUT NOTICE.



www.comcater.com.au

PROUDLY DISTRIBUTED BY: