

CLEVELAND SET15

TILTING SKILLETS

Round electric self contained tilting skillets with 68lt capacity. 415 volts three phase.



STANDARD FEATURES

- High Efficiency Heating System with even heat distribution via Heating Elements cast into Aluminum, covering entire pan bottom
- Cooking Surface Guaranteed against warping
- Splash Proof
- Bead Blasted Cooking Surface resists sticking
- Adjustable, Thermostat Controlled Temperature from 64°C to 218°C
- Fast Heat-Up and Recovery Time
- Balanced Design Permits Easy Tilting; with left or right mounted Tilt Handle
- All Stainless Steel Construction for durability and easy cleaning
- Lift-Off Cover with Adjustable Vent
- Sanitary Base Mounting for Table Top Installation
- Self-Locking Marine Type Tilt Mechanism: Prevents accidental tilting

OPTIONAL FEATURES

- Double or Single Pantry with Swing Spout (DPS) or (SPS)
- Faucet Bracket (FBSL)
- Poaching Pan (PPR)
- Vegetable Steamer (VS)
- 101mm Stainless Steel Legs with adjustable feet (LTKS)
- Voltages other than standard (VOS)
- Stainless Steel Support Stands (ST28) with Sliding Drain Drawer and Splash Screen

SPECIFICATIONS ARE SUBJECT TO CHANGE WITHOUT NOTICE.

From the world of Comcater!

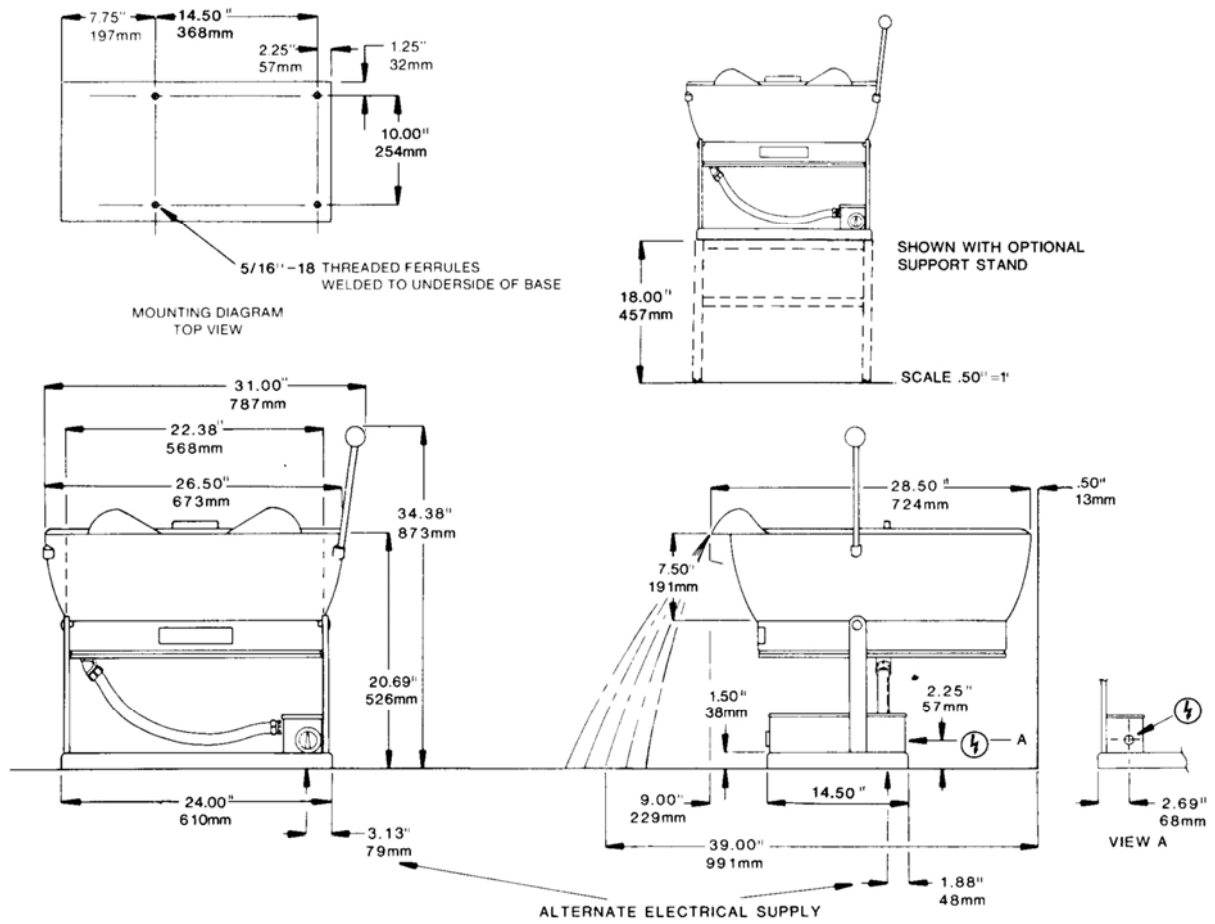
National Head Office
156 Swann Drive
Derrimut VIC 3030
Tel: +61 3 8369 4600
Fax: +61 3 8369 4695

Melbourne
96-100 Tope Street,
South Melbourne VIC 3205
Tel: +61 3 8369 4600
Fax: +61 2 8699 1299

Sydney
20/4 Avenue of the Americas
Newington, NSW 2127
Tel: +61 2 9748 3000
Fax: +61 2 9 648 4762

Brisbane
1/62 Borthwick Avenue
Murarrie QLD 4172
Tel: +61 7 3399 3122
Fax: +61 7 3399 5311

CLEVELAND SET15



DIMENSIONS

External: 673W x 724D x 526H mm

TECHNICAL DATA

Power Supply 415V, 3 Phase, 18.9amp

Energy Rating 7.8kW

SPECIFICATIONS ARE SUBJECT TO CHANGE WITHOUT NOTICE.



www.comcater.com.au

PROUDLY DISTRIBUTED BY: