



Electrolux

Modular Cooking Range Line 700XP Full Module Freestanding Gas Char-Grill

ITEM # _____

MODEL # _____

NAME # _____

SIS # _____

AIA # _____



Electrolux



Modular Cooking Range Line
700XP Full Module Freestanding Gas Char-Grill
371238 (E7GRGHGCFU) Full module gas grill free standing

Short Form Specification

Item No. _____

To be installed on height adjustable feet in stainless steel. High efficiency 16 kW stainless steel gas burners with flame failure device, protected by deflection trays. Suitable for natural gas or LPG. Cooking surface grids in cast iron, easily removable for cleaning. Cast iron grids can be rotated for the grilling of fish or meats. Exterior panels in stainless steel with Scotch Brite finish. One piece pressed work top in 1.5 mm thick stainless steel. Right-angled side edges to allow flush-fitting junction between units.

Main Features

- The low temperature of the external panels allow to work in safety.
- Stainless steel burners with flame failure device.
- Burners are protected by deflection trays to prevent fat dripping on them.
- Regulators with fixed high and low positions for precise control.
- Cast iron grids can be rotated on the right ribbed profile, to grill fish or meats.
- Stainless steel high splash guard on the rear and sides can be easily removed for cleaning and is dishwasher-safe.
- IPX4 water resistance certification.
- Unit delivered with four 50 mm legs in stainless steel as standard (all round Stainless steel kick plates as option).

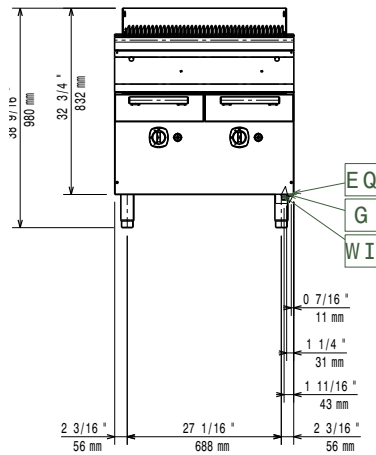
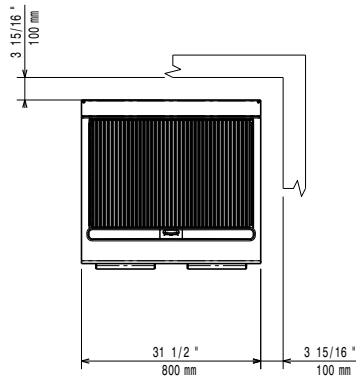
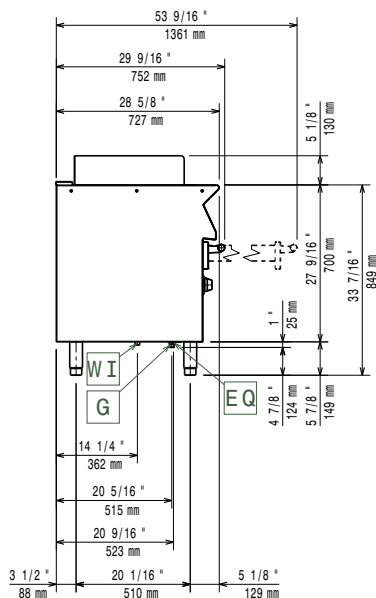
Construction

- All exterior panels in Stainless Steel with Scotch Brite finishing.
- One piece pressed 1.5 mm work top in Stainless steel.
- Model has right-angled side edges to allow flush fitting joints between units, eliminating gaps and possible dirt traps.

APPROVAL: _____

Optional Accessories

- | | | | |
|---|--|--|-------------------------------------|
| • Draught diverter, 150 mm diameter | PNC 206132
<input type="checkbox"/> | • Stainless steel grid for free standing grills | PNC 206410 <input type="checkbox"/> |
| • Matching ring for flue condenser, 150 mm diameter | PNC 206133
<input type="checkbox"/> | • Stainless steel grid for free standing V-shaped grills (700XP) | PNC 206411 <input type="checkbox"/> |
| • Flanged feet kit | PNC 206136
<input type="checkbox"/> | • Scraper for grids with drainage channels - top grills | PNC 206421 <input type="checkbox"/> |
| • Frontal kicking strip for concrete installation, 200mm | PNC 206146
<input type="checkbox"/> | • Scraper for free standing grills | PNC 206422 <input type="checkbox"/> |
| • Frontal kicking strip for concrete installation, 400mm | PNC 206147 <input type="checkbox"/> | • Frontal handrail, 800mm | PNC 216047 <input type="checkbox"/> |
| • Frontal kicking strip for concrete installation, 800mm | PNC 206148
<input type="checkbox"/> | • Frontal handrail, 1200mm | PNC 216049 <input type="checkbox"/> |
| • Frontal kicking strip for concrete installation, 1000mm | PNC 206150
<input type="checkbox"/> | • Frontal handrail, 1600mm | PNC 216050 <input type="checkbox"/> |
| • Frontal kicking strip for concrete installation, 1200mm | PNC 206151 <input type="checkbox"/> | • Large handrail - portioning shelf, 400mm | PNC 216185 <input type="checkbox"/> |
| • Frontal kicking strip for concrete installation, 1600mm | PNC 206152
<input type="checkbox"/> | • Large handrail - portioning shelf, 800mm | PNC 216186 <input type="checkbox"/> |
| • Frontal kicking strip, 200mm (not for refr-freezer base) | PNC 206174 <input type="checkbox"/> | • Pressure regulator for gas units | PNC 927225 <input type="checkbox"/> |
| • Frontal kicking strip, 400mm (not for refr-freezer base) | PNC 206175
<input type="checkbox"/> | | |
| • Frontal kicking strip, 800mm (not for refr-freezer base) | PNC 206176 <input type="checkbox"/> | | |
| • Frontal kicking strip, 1000mm (not for refr-freezer base) | PNC 206177
<input type="checkbox"/> | | |
| • Frontal kicking strip, 1200mm (not for refr-freezer base) | PNC 206178
<input type="checkbox"/> | | |
| • Frontal kicking strip, 1600mm (not for refr-freezer base) | PNC 206179
<input type="checkbox"/> | | |
| • Kit 4 feet for concrete installation (not for 900 line free standing grill) | PNC 206210
<input type="checkbox"/> | | |
| • Central support for installation of drawers and grid (on 800/1200mm bases) and of doors (on 1200mm bases) | PNC 206245
<input type="checkbox"/> | | |
| • Flue condenser for 1 module, 150 mm diameter | PNC 206246
<input type="checkbox"/> | | |
| • Pair of side kicking strips | PNC 206249
<input type="checkbox"/> | | |
| • Pair of side kicking strips for concrete installation | PNC 206265
<input type="checkbox"/> | | |
| • Water filling tap for 800 mm free standing grills | PNC 206281 <input type="checkbox"/> | | |
| • Chimney upstand, 800mm | PNC 206304
<input type="checkbox"/> | | |
| • Right and left side handrails | PNC 206307
<input type="checkbox"/> | | |
| • Base support for feet or wheels - 400mm (700/900) | PNC 206366
<input type="checkbox"/> | | |
| • Base support for feet or wheels - 800mm (700/900) | PNC 206367
<input type="checkbox"/> | | |
| • Base support for feet or wheels - 1200mm (700/900) | PNC 206368
<input type="checkbox"/> | | |
| • Base support for feet or wheels - 1600mm (700/900) | PNC 206369
<input type="checkbox"/> | | |
| • Base support for feet or wheels - 2000mm (700/900) | PNC 206370
<input type="checkbox"/> | | |
| • Rear paneling - 800mm (700/900) | PNC 206374
<input type="checkbox"/> | | |
| • Rear paneling - 1000mm (700/900) | PNC 206375
<input type="checkbox"/> | | |
| • Rear paneling - 1200mm (700/900) | PNC 206376
<input type="checkbox"/> | | |
| • Kit town gas nozzles (G150) for 700 grill | PNC 206389
<input type="checkbox"/> | | |

Front

Top

Side


EQ = Equipotential screw
G = Gas connection

Gas

Gas Power:	371238 (E7GRGHGCFU)	54544 Btu/hr (16 kW)
Gas Type Option:		LPG;Town
Gas Inlet:		1/2"
Natural gas - Pressure:		7" w.c. (17.4 mbar)
LPG Gas Pressure:		11" w.c. (27.7 mbar)

Key Information:

Net weight:	75 kg
Shipping weight:	90 kg
Shipping height:	1180 mm
Shipping width:	810 mm
Shipping depth:	860 mm
Shipping volume:	0.82 m ³

If appliance is set up or next to or against temperature sensitive furniture or similar, a safety gap of approximately 150 mm should be maintained or some form of heat insulation fitted.