

ICEU Series

Self Contained Gourmet Ice Machines

ICEU 045
ICEU 065
ICEU 085



Cube Size

34.5mm x 30.5mm x 29.5mm

Features

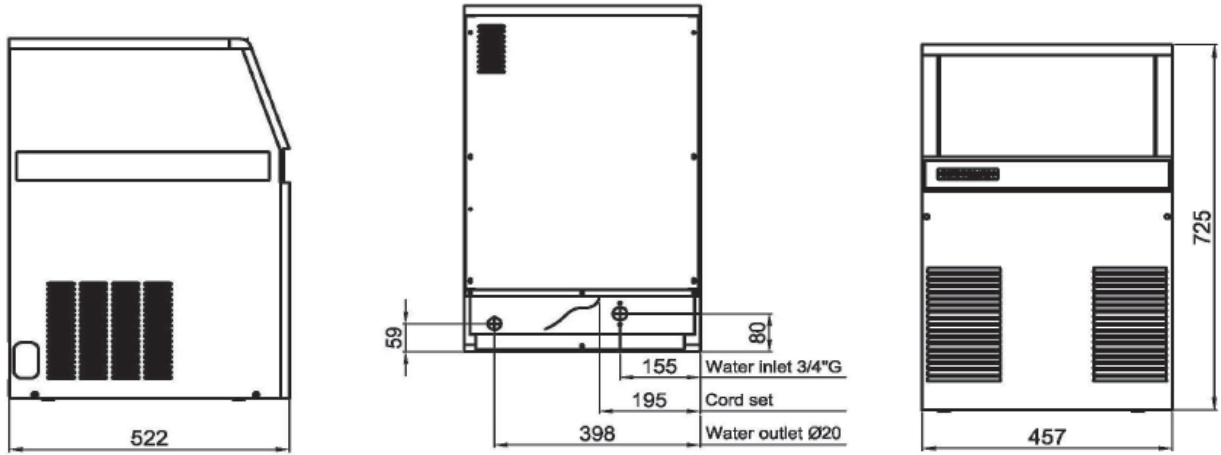
- No side clearance required, air is drawn in and exhausted out the front.
- Stainless steel exterior.
- Available on castors.
- Warranty: 2 years parts and labour.

Specifications

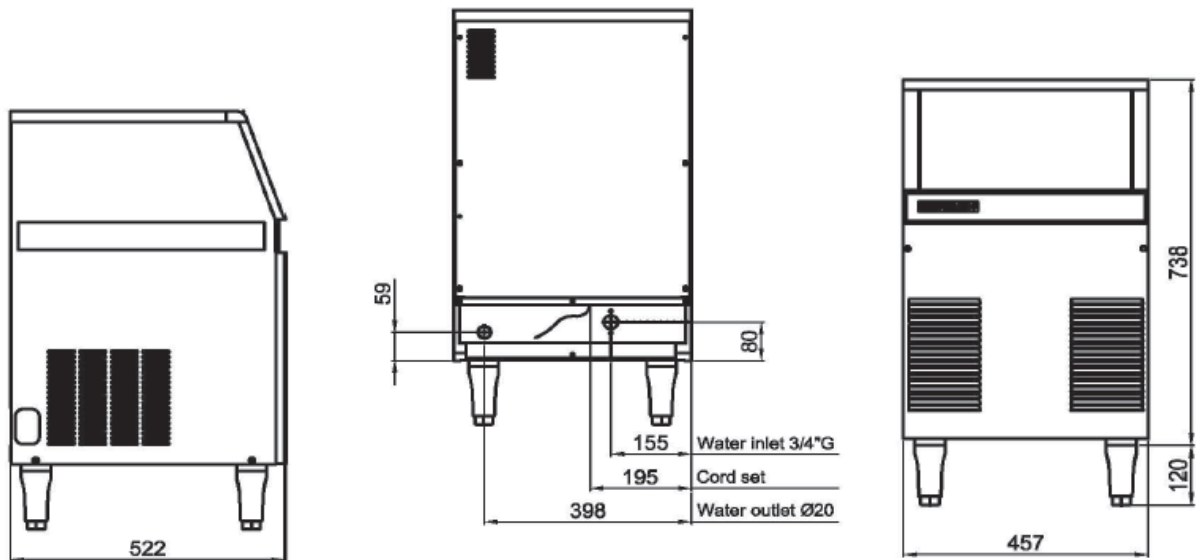
MODEL	ICEU 045	ICEU 065	ICEU 085
Cooling System	A		
Outside Surface	SS		
Capacity (Up to)/24h	23kg	31kg	38kg
Storage Bin	14kg		
Medium Size Cubes /24h	1150	1500	1900
Height with Legs	N/A	858mm	910mm
Height with castors	760mm	760mm	810mm
Electrical Supply (V/Hz/Ph)	220/50/1		
Refrigerant	R134a		
Water Consumption (l/h)	4.6	4	6
Electric Consumption (kW/24h)	6.5	7	10
Shipping Weight (kg)	46	49	55
Net Weight (kg)	39	41	48
Comp. HP	1/4	1/4	3/8
Cube Size	M		
Min. Wire Diametre (mm2)	3x1		
Total Current (A)	2.2	2.4	3.2
Rated Output (W)	340	360	500
Fuse (A)	10		

Dimensions (mm)

ICEU045



ICEU065



ICEU085

