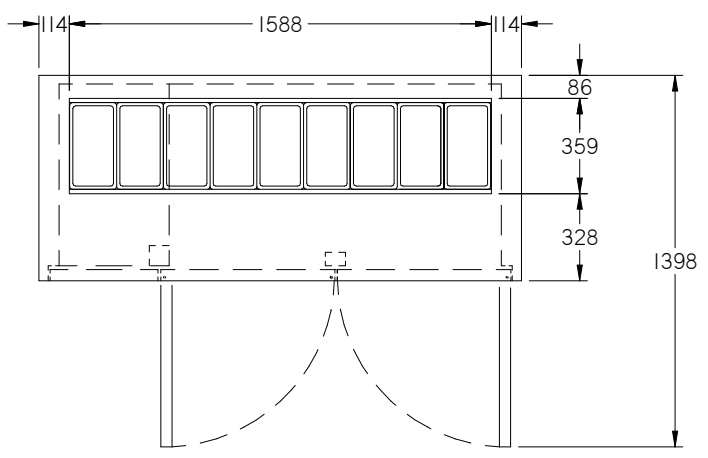
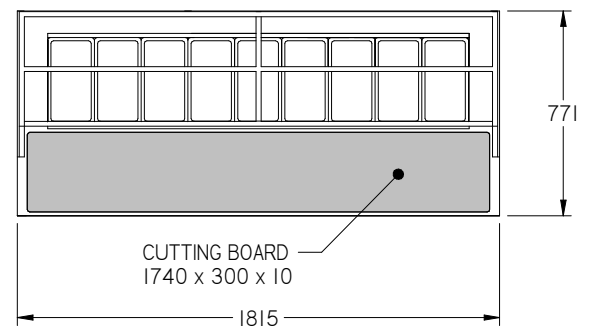


A



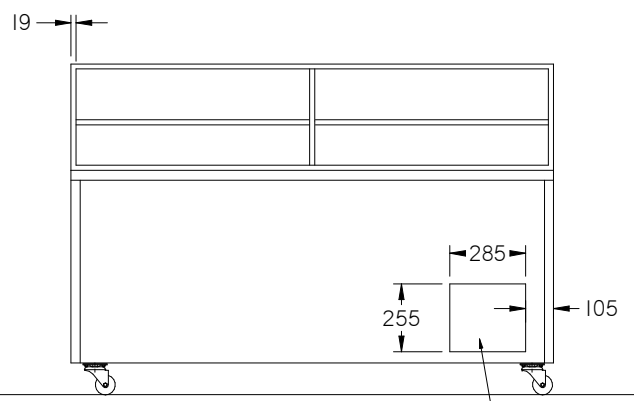
WELL OPENING:
WILL ACCEPT 1 ROW OF 9 x 1/3 POTS
OR WILL ACCEPT 2 ROWS OF 9 x 1/6 POTS



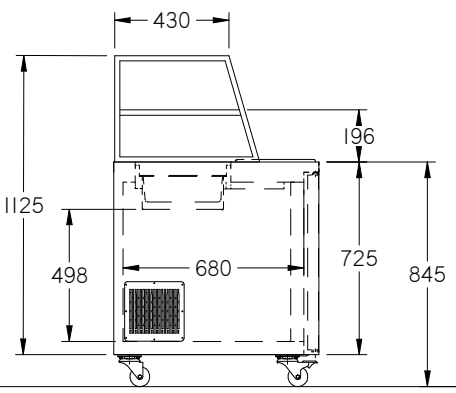
TOP VIEW

B

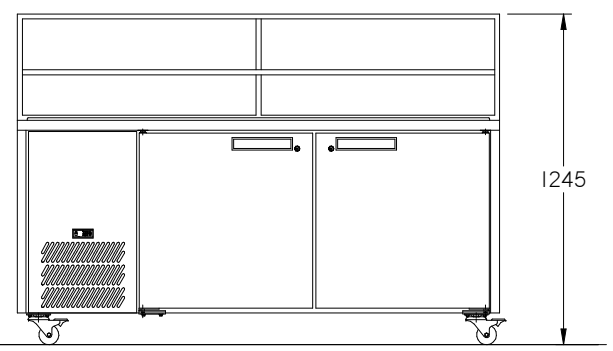
C



REAR VIEW



SIDE VIEW



FRONT VIEW

DUCT OPENING REQ.
FOR AIR EXHAUST
FROM CONDENSER

F

REV	DESCRIPTION	DATE	BY
02	Canopy Frame Strengthened & 19.0 was 25.0	9.12.09	J.L.
01	Redrawn on SE in 2D	27.07.09	J.L.



UNLESS OTHERWISE STATED ALL DIMENSIONS IN MILLIMETERS.
GENERAL TOLERANCES:
LINEAR
ANGULAR +/-1°

UP TO 6	+/-0.1
7 TO 30	+/-0.2
31 TO 120	+/-0.3
121 TO 315	+/-0.5
316 TO 1000	+/-0.8
1000 & OVER	+/-1.2

DRAWN: J.L.
DATE: 27.07.09
CHECKED:
DRAFTING STANDARD AS 1100

STORAGE CAPACITY: 500 Litres
MODEL: HJ2SCBA-000
TITLE: JADE 2 DOOR WITH BLOWN AIR WELL

STOCK No. --
DWG: J2SCBA