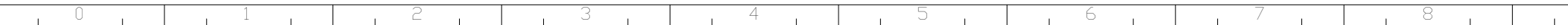
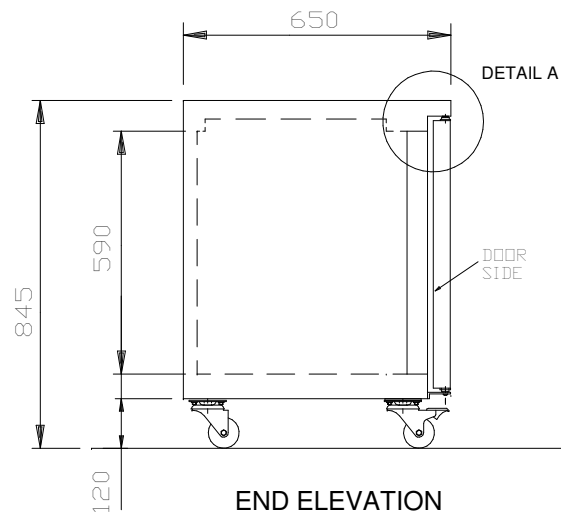
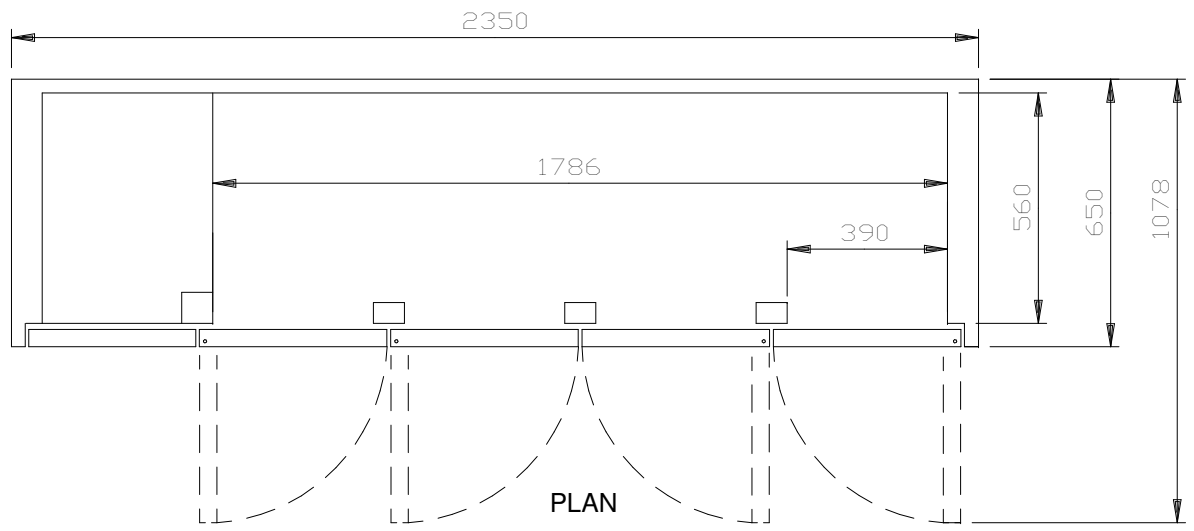
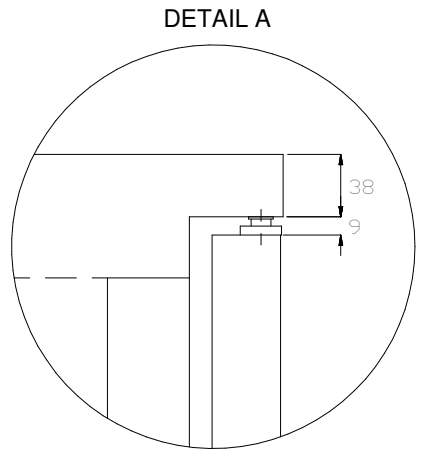


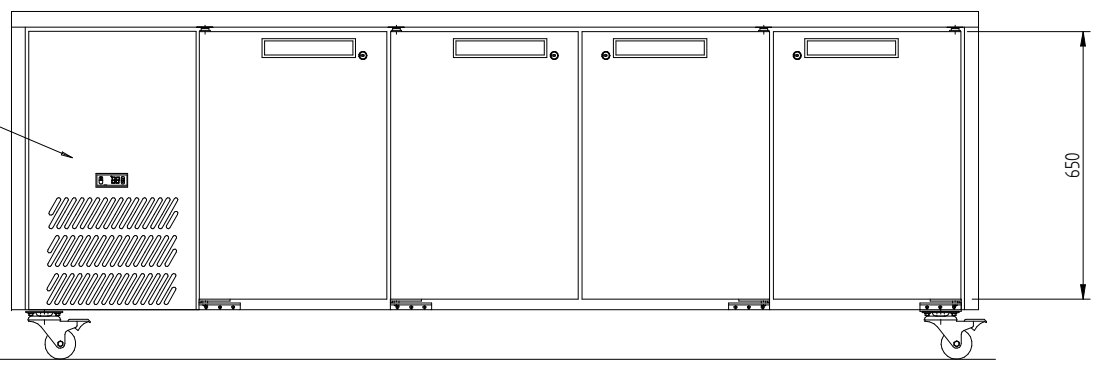
O4U



A  
B  
C  
D  
E  
F



REMOVEABLE UNIT



END ELEVATION

FRONT ELEVATION

01	FMH & Roof duct added	03 05 11	RK
REV	DESCRIPTION	DATE	BY

**williams**  
REFRIGERATION  
AUST. PTY. LTD.

UNLESS OTHERWISE STATED ALL DIMENSIONS IN MILLIMETERS.  
GENERAL TOLERANCES:  
UP TO 6    +/-0.1  
7 TO 30    +/-0.2  
31 TO 120   +/-0.3  
121 TO 315 +/-0.5  
316 TO 1000 +/-0.8  
1000 & OVER +/-1.2  
ANGULAR +/-1°  
LINEAR

DRAWN: WILLIAMS AUSTRALIA  
DATE: 13 11 00  
CHECKED:  
DRAFTING STANDARD AS 1100

MATERIAL:  
MODEL: O4U  
TITLE: OPAL COUNTER  
4 DOOR SELF CONTAINED

STOCK No.  
DWG: O4U