

COMENDA REDLINE RF321

FRONT LOADING DISHWASHER

A reliable, affordable and effective undercounter dishwasher, the RF321 has a single wash cycle and is stunning in its simplicity. Providing low energy consumption, long lasting double skinned stainless steel doors and the convenience of front service access to all key components.



STANDARD FEATURES

- Full stainless steel frame, tank and panels
- Drain pump
- Inlet and waste hoses included
- Detergent dispenser & rinse aid dispenser
- Guaranteed rinse cycle only when water at 85° C
- Micro filter on wash pump which delivers better wash results
- 1 piece deep drawn wash tank

SPECIFICATIONS ARE SUBJECT TO CHANGE WITHOUT NOTICE.

From the world of Comcater!

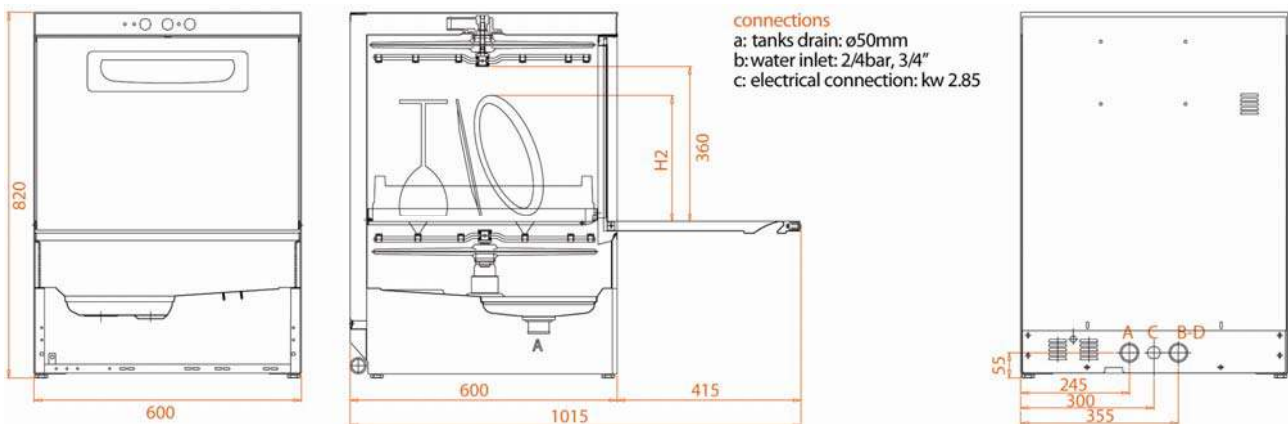
National Head Office
156 Swann Drive
Derrimut VIC 3030
Tel: +61 3 8369 4600
Fax: +61 3 8369 4695

Melbourne
96-100 Tope Street,
South Melbourne VIC 3205
Tel: +61 3 8369 4600
Fax: +61 2 8699 1299

Sydney
20/4 Avenue of the Americas
Newington, NSW 2127
Tel: +61 2 9748 3000
Fax: +61 2 9 648 4762

Brisbane
1/62 Borthwick Avenue
Murarrie QLD 4172
Tel: +61 7 3399 3122
Fax: +61 7 3399 5311

COMENDA REDLINE RF321



DIMENSIONS

Dishwasher: 600W x 600D x 820H mm

Clearance: 360 mm

Rack size: 500mm x 500mm

TECHNICAL DATA

Power Supply 240 Volts, 15amp

Total Output 2.85kW

Water Temp. Supply 45° - 55° C

Water Connection 2/4bar, 3/4"

Tanks Drain 50mm

Wash Cycle 120 seconds

Water Consumption 3.2L per cycle/rack

SPECIFICATIONS ARE SUBJECT TO CHANGE WITHOUT NOTICE.



www.comcater.com.au

PROUDLY DISTRIBUTED BY: