



## SSC065, 080 & 090 CUBE ICE MAKERS



### **SSC065, 080, 090**

- 13g cube ice ideal for use by restaurants, hotels, licensed bars, juice bars, take away outlets and health care facilities
- 18/8 grade stainless steel cabinets with integrated food grade polyethylene storage bin



# SSC065, 080 & 090 CUBE ICE MAKERS

## Specifications

### Power

Voltage – 240-50Hz  
Amps – SSC065 3.0 – SSC080 3.6  
– SSC090 3.9

### Refrigerant

R404a

### Shipping Weight

SSC065 78x64x103cm (89kg)  
SSC080 78x64x103cm (98kg)  
SSC090 78x64x103cm (102kg)

### Water Supply Requirements

3/4" BSP male stop cock

### Drainage

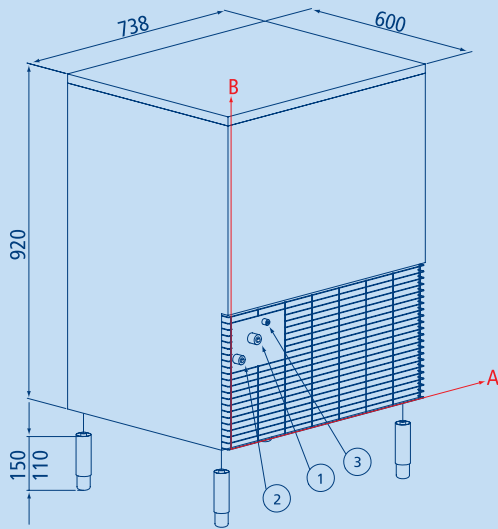
Floor waste within 1 metre of machine  
Note! Must be below machine outlet

## Ice Making Capacity (kg/24hours)

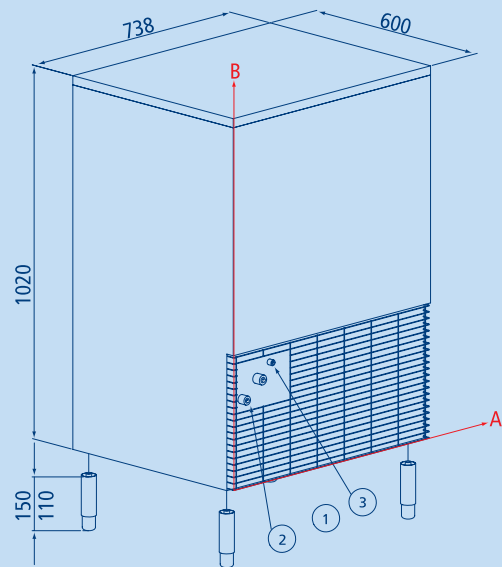
	Production		Storage			
	A	B	A	B	A	B
SSC065	65	40				
SSC080	80	40				
SSC090	90	55				

	Water In (1)		Drainage (2)		Power In (3)	
	A	B	A	B	A	B
SSC065	116	285	54	240	161	321
SSC080	116	285	54	240	161	321
SSC090	116	285	54	240	161 <td 321	



SSC065 & SSC080



SSC090

Continuing product improvement may necessitate changes of specifications without notice.

Distributed By

For more information or the name  
of your local sales agent call:

Stuart Manufacturing

1 Jayelem Crescent Padstow NSW 2211

Sales 1300 301 380 • General Enquiries 02 9773 3711

Facsimile 02 9773 4400 • Email [ice@stuman.com.au](mailto:ice@stuman.com.au)

Website [www.stuman.com.au](http://www.stuman.com.au)