



## SSC120 & SSC150 CUBE ICE MAKERS



### SSC120 & SSC150

- 13g cube ice ideal for use by restaurants, hotels, licensed bars, juice bars, take away outlets and health care facilities
- 18/8 grade stainless steel cabinets with integrated food grade polyethylene storage bin



# SSC120 & SSC150 CUBE ICE MAKERS

## Specifications

### Power

Voltage – 240-50Hz

Amps – SSC120 4.8 – SSC150 6.4

### Refrigerant

R404a

### Shipping Dimensions

SSC120 88x79x125cm (133kg)

SSC150 88x79x125cm (138kg)

### Water Supply Requirements

3/4" BSP male stop cock

### Drainage

Floor waste within 1 metre of machine

Note! Must be below machine outlet

## Ice Making Capacity (kg/24hours)

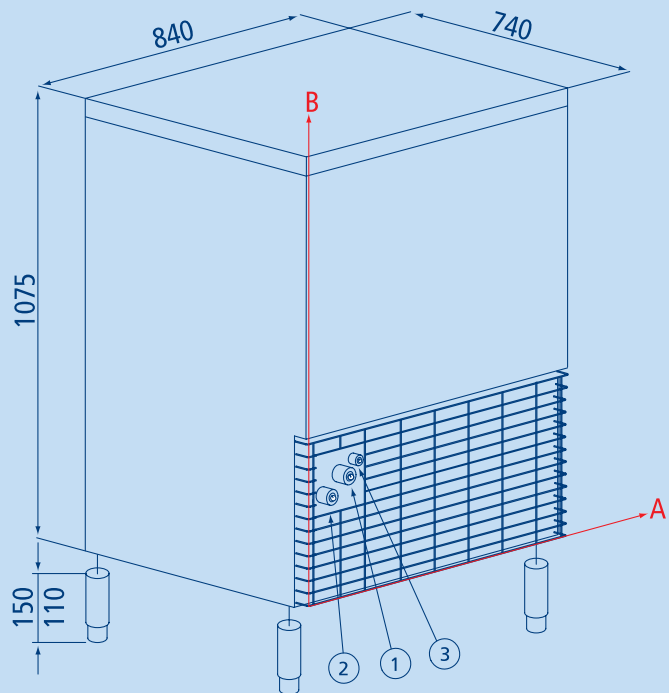
	Production	Storage
SSC120	130	65

SSC150	155	65
--------	-----	----

	Water In (1)		Drainage (2)		Power In (3)	
	A	B	A	B	A	B

SSC120	141	290	79	245	186	326
--------	-----	-----	----	-----	-----	-----

SSC150	141	290	79	245	186	326
--------	-----	-----	----	-----	-----	-----



SSC120 & SSC150

Continuing product improvement may necessitate changes of specifications without notice.

Distributed By

For more information or the name  
of your local sales agent call:

Stuart Manufacturing

1 Jayelem Crescent Padstow NSW 2211

Sales 1300 301 380 • General Enquiries 02 9773 3711

Facsimile 02 9773 4400 • Email [ice@stuman.com.au](mailto:ice@stuman.com.au)

Website [www.stuman.com.au](http://www.stuman.com.au)