

# Portion Blending System<sup>®</sup> Advance<sup>®</sup> Model: VM1693

## Efficient, Ice - Portioning Blending

The Portion Blending System<sup>®</sup> has a large 19.0 litre hopper that automatically dispenses precise amounts of ice based on weight. The ice is then fed into the blender container and thoroughly homogenized with ANY drink and/or other ingredients.

## Features

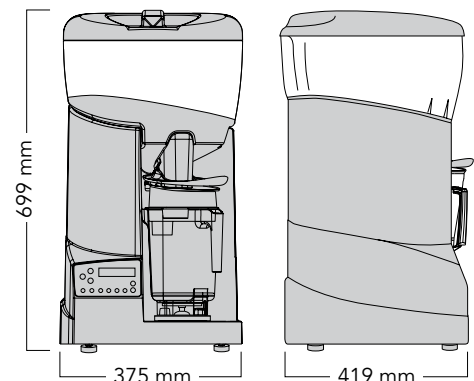
- One-button simplicity. Easily programmed to make up to 4 drinks (up to 1.8 litre) at one time.
- Holds 19.0 litre of ice and dispenses exact amounts of shaved ice every time
- Use any mix with ice plus ingredients to create perfectly blended frozen drinks
- Designed and built for worry-free operation. No technicians or tools needed for adjustments or cleaning. No calibration, ever!
- User-friendly, easy to operate with state-of-the-art electronics
- Homogenized – ie. drinks are blended, not just stirred.
- Lid interlock prevents injury; shaver will not run unless cover is in place
- Perfect for the creation of signature drinks
- Automatic alert function to low ice conditions
- Clear, durable 1.4 litre container complete with blade assembly



Creates up to 4 frozen drinks at once.



VM1693 pictured



## Specifications

Motor: ~2 peak output HP motor

Electrical: Standard single phase 10 Amp plug, 220-240 V, 50/60 Hz, 1140 Watts (load dependent)

Includes: 1.4 litre container, complete with blade assembly and lid

All dimensions are nominal only.  
Covered by 3 years warranty (1 year parts and labour followed by 2 years parts only).  
Conditions apply. Refer to our Terms & Conditions of Trade.

0511