



## griddle toaster

### MODEL: WGDT60

#### APPLICATIONS

- Ideal for cooking foods such as hamburgers, steak, eggs, bacon, pancakes etc. with the added advantage of toasting on the under griddle rack

#### CAPACITY GUIDE

- 8 x 7 oz steaks or equivalent on hot plate
- 6 slice toast rack - 390mm x 260mm

#### STANDARD FEATURES

- Combined hot plate griddle with toaster
- Stainless steel construction
- 6mm thick cast steel plate - 520mm x 330mm
- Six slice adjustable toaster rack
- Easy-clean removable crumb tray
- Detachable side-mounted drain gutter

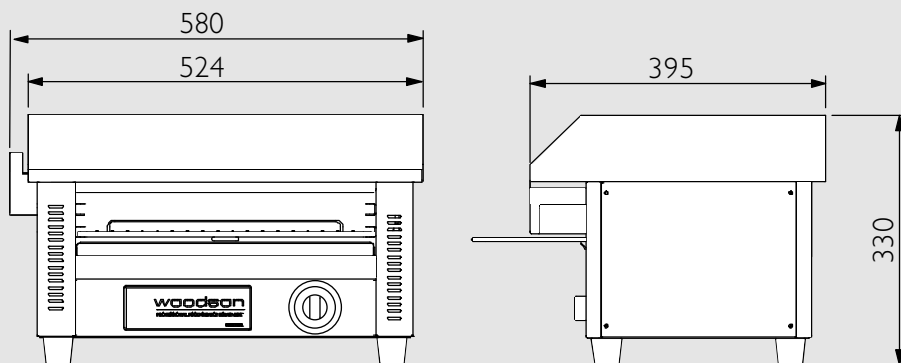
#### SPECIFICATIONS

	Kw 2.4	Amps 10
Width 580	Depth 395	Height 330
	Weight 20kg	

#### Dealer:



**WGDT60**



We reserve the right to alter specifications of products without notice

#### For details of your local dealer contact:

QLD, NT, WA, International ph 07 3344 2444 fax 07 3345 6403 email fse@stoddart.com.au	NSW, ACT ph 02 9817 7700 fax 02 9817 7800 email gladesville@stoddart.com.au	VIC, SA, TAS ph 03 9706 5250 fax 03 9706 5290 email melbourne@stoddart.com.au
---	---	---

Manufactured by: Tom Stoddart Pty Ltd, 215 Jackson Road Sunnybank Hills, Qld 4109 Australia