



Air Conditioning Systems

PAC-US444CN-1 Thermostat Interface
PRODUCT FLYER



Controlled by third party HVAC controllers

Announcing the New Thermostat Interface

The Thermostat Interface allows Mitsubishi Electric systems to be controlled by third-party HVAC controllers. Using the Thermostat Interface, third-party HVAC controllers can take advantage of a Mitsubishi Electric system's innovative features, including INVERTER-driven compressors in the outdoor unit. The Thermostat Interface is now available from Mitsubishi Electric's distributor network.

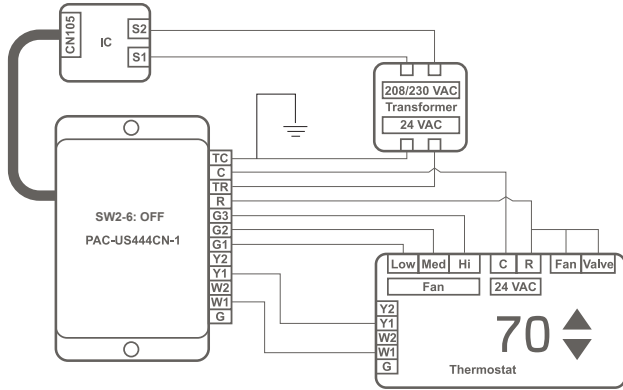


SUPERIOR CUSTOMISATION

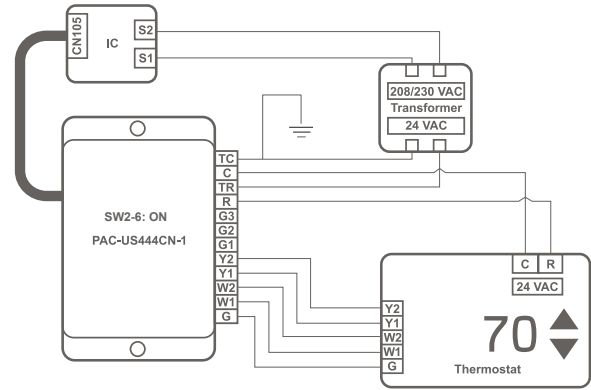
The Thermostat Interface allows HVAC thermostats and input/output controllers to control either residential or commercial indoor units through its CN105 connector. Compatible with City Multi, M Series and P Series, can now be controlled by a third-party HVAC thermostat or input/output controller.

WIRING DIAGRAMS

Two-Stage Cooling and Heating



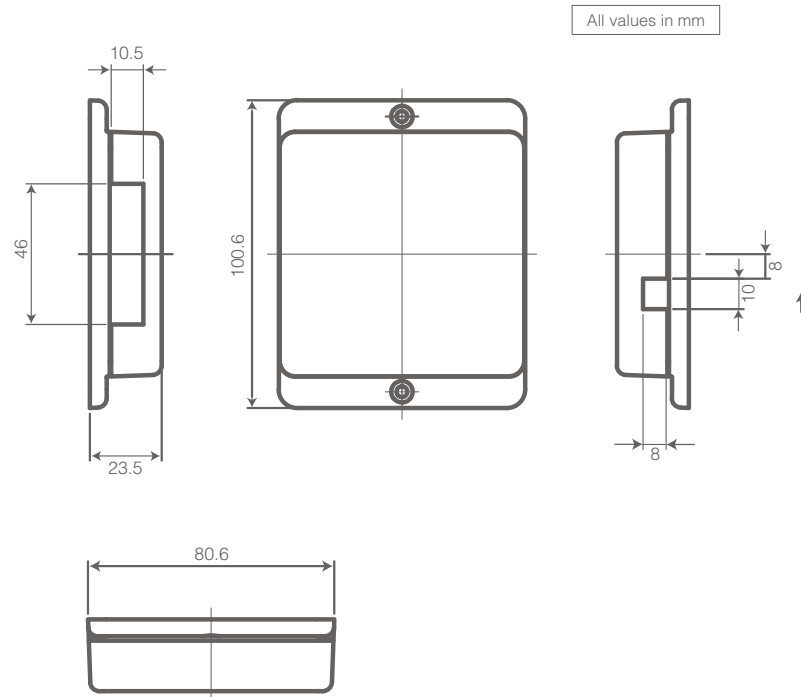
Two-Stage Single-Stage Cooling and Heating with Dedicated Fan Speed Relays



Features

- » Auto recovery after power failure
- » Two-stage heat and cool thermostat operation:
 - Conventional 2H/2C system operation (preferred)
 - Conventional 1H/1C system operation
- » Adjustable fan speed
- » Static pressure adjustable setting
- » CN24 operation during defrost
- » Fan speed during thermal off heating mode

DIMENSIONS



CONNECTOR	PURPOSE	PURPOSE
A	Common (In)	To transformer
B	24VAC (In)	To transformer
C	24VAC (Out)	To transformer
D	Common (Out)	To transformer
E	Fan high	High fan speed
F	Fan medium	Medium fan speed
G	Fan low	Low fan speed
J	Y2	Stage 2 cooling
I	Y1	Stage 1 cooling
J	W2	Stage 2 cooling
K	W1	Stage 1 cooling
L	G	Fan



MitsubishiElectric.com.au

CREATED: JANUARY 2019

The specifications and information in this flyer are subject to change without notice. Colours depicted in this flyer may vary slightly. Images are for illustrational purposes only.