

MODEL

Q90FRI/G610

CODE

CR1018369

SPLIT BASIN GAS DEEP FAT FRYER 10+10 LT

QUEEN9

- AISI 304 stainless-steel bases and worktops, Scotch-Brite finish
- Depth of 900 mm for high power and performance
- Catalogue offers more than 350 standard models
- Worktop, base cabinet, base cabinet with doors and oven versions
- 20/10 worktop thickness
- Twin-piece knobs prevent infiltration of dirt and have an IPX5 water ingress protection rating
- Gas kitchens having burners with various configurations and power ratings: 3.5 kW - 5.7 kW, 7 kW and 10 kW
- Double-ring burners for 7 and 10 kW models
- Wide range of accessories



Technical / functional characteristics

- Fully moulded top, obtained from a single large stainless steel plate;
- Large capacity shaped cooking pots, with wide vertical expansion zone to avoid depositing of foam during loading;
- Automatic temperature adjustment thermostat up to 190°C;
- Fire-proof safety thermostat (230°C);
- Oil drain valves;
- Support for baskets and lids.
- Steel tubular burners outside the tub;
- Oil drain valves;
- Pilot burner piezo-electric ignition.

| DIMENSIONS | |
|-------------------------------|------|
| Width (mm) | 600 |
| Depth (mm) | 900 |
| Height (mm) | 900 |
| Gas connection (∅) | 1/2" |
| Electric connection (V/~ /Hz) | |
| Cold water connection (∅) | |
| Hot water connection (∅) | |

| | |
|--------------------------------|-------|
| Cold soft water connection (∅) | |
| Drain (∅) | |
| Gas power (Mj/hr) | 72 |
| Electric power (kW) | |
| Plate dimensions (mm) | |
| Tank capacity (L) | 10+10 |
| Tank dimensions (mm) | |
| Internal oven dimensions (mm) | |

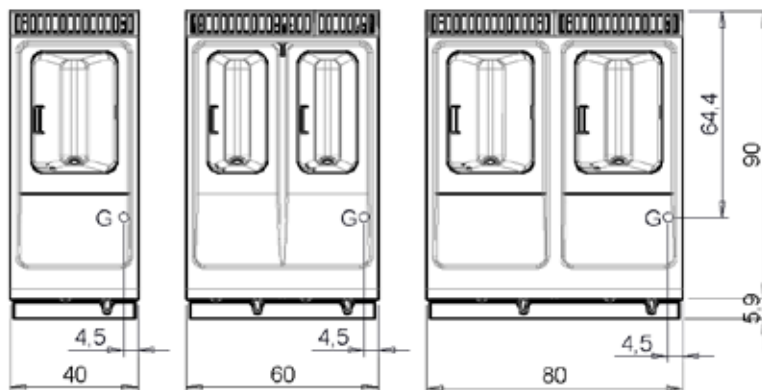
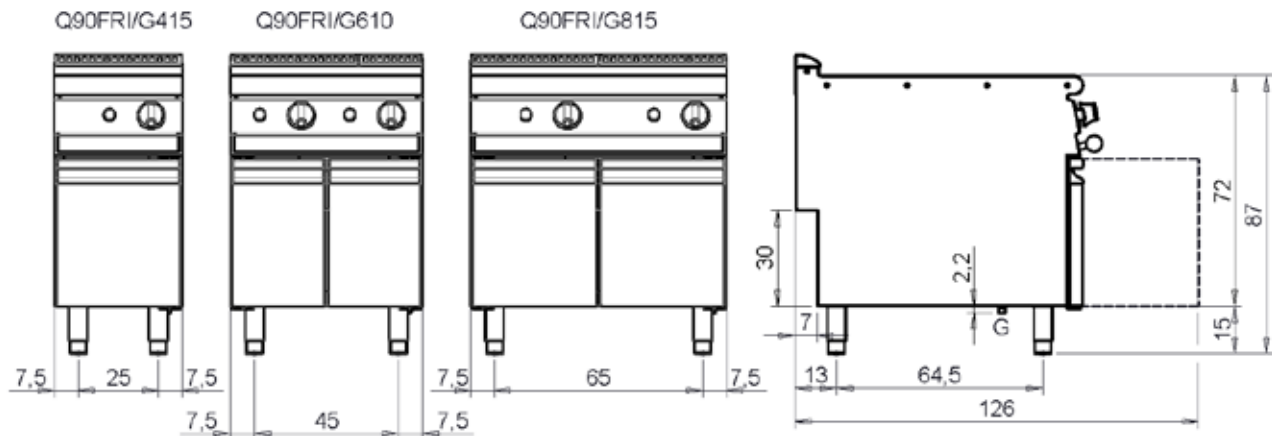
MODEL

Q90FRI/G610

CODE

CR1018369

MISURE IN cm - DIMENSIONS IN cm - ABMESSUNGEN IN cm - MESURES EN cm
 MEDIDAS EN cm - MATEN IN cm - DIMENSIONES EN cm



Legenda - Legende - Key - Légende - Leyenda - Legenda - Legenda

| | |
|---|--|
| <p>E Pressacavo entrata linea elettrica - Stopfbuchse - Electric cable stress relief - Presse étoupe de câble él - Pisacable - Elektrische kabelwartel - Entrada cabo eléctrico</p> | <p>G Arrivo gas - Gasanschluss - Gas connection - Arrivée gaz - Union de gas - Gasaansluiting - Ligaçao gás EN 10226-1 R 1/2; EN ISO 228-1 G 1/2 (DK)</p> |
| <p>S Attacco scarico acqua - Wasserablauf - Water outlet - Vidange de l'eau - Desaguadero - Wateraftapaansluiting - Junção descarga água</p> | <p>H20 Arrivo acqua - Wasseranschluss - Water inlet - Arrivée eau - Union de agua - Wateraansluiting - Junção alimentação água</p> |
| <p>S1 Scarico vasca - Wannenabflussrohr - Pan outlet - Vidange du bac - Descarga cuba - Water toevoer - Descarga da cuba</p> | <p>A1 = Calda - Heiss - Warm - Chaude - Caliente - Warm - Morno A2 = Fredda - Kalt - Cold - Froid - Fria - Koude - Frio</p> |
| <p>S2 Valvola di depressione - Anti-depression valve - Unterdruck ventil - Soupape de dépression - Válvula de depresión - Onderdrukklep - Válvula de depressão</p> | |
| <p>S3 Scarico acqua intercapedine - Wasserablauf Zwischenraum - Jacket water drain Evacuation eau double envelope - Descarga de agua intersticios - Afvoer water tussenruimte - Descarga de água na marmita com Sistema de aquecimento indirecto</p> | |
| <p>S4 Scarico - Abflussrohr - Drain - Tuyau d'évacuation - Tubo de drenaje - Aftapbuis - Tubulação de dreno</p> | <p>L Rubinetto di livello - Level tap - Wasserhahn - Robinet de niveau - Grifo de nivel - Niveaakraan - Torneira de nivel</p> |